



CATALOG

STEERING AND SUSPENSION CAR PARTS

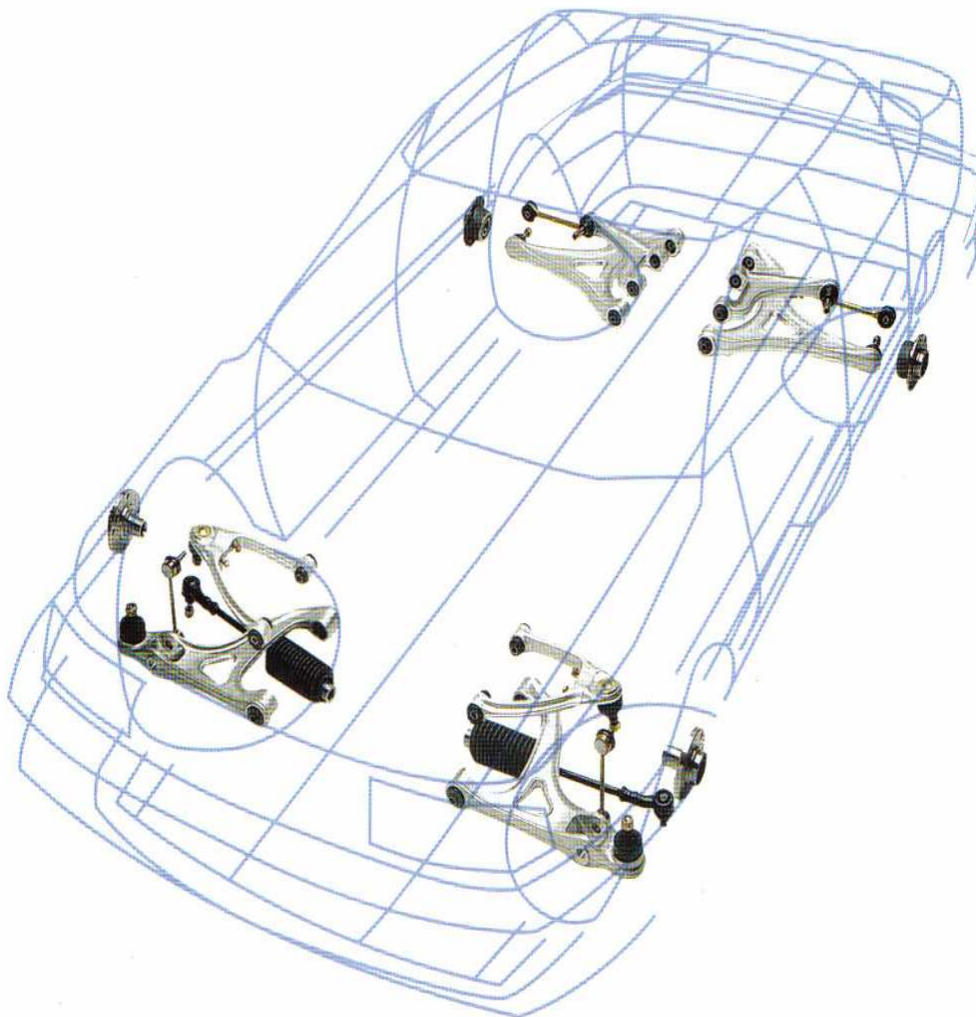


TABLE OF CONTENTS

| | |
|---------------------------|-----------|
| NEW PARTS | 4 |
| ALFA | 5 |
| AUDI..... | 5 |
| BMW | 7 |
| CITROEN..... | 9 |
| CHRYSLER | 11 |
| DAEWOO | 11 |
| DAIHATSU | 12 |
| FIAT | 12 |
| FORD | 14 |
| HONDA | 17 |
| HYUNDAI | 19 |
| IVECO..... | 20 |
| JEEP | 20 |
| KIA..... | 20 |
| LADA..... | 21 |
| LANCIA..... | 21 |
| LAND ROVER | 22 |
| MAZDA | 22 |
| MERCEDES..... | 23 |
| MITSUBISHI..... | 26 |
| NISSAN | 26 |
| OPEL..... | 28 |
| PEUGEOT..... | 30 |
| PONTIAC..... | 33 |
| RENAULT | 33 |
| ROVER | 36 |
| SEAT..... | 36 |
| SUBARU..... | 38 |
| SUZUKI | 38 |
| ŠKODA | 39 |
| TOYOTA | 40 |
| VOLKSWAGEN..... | 40 |
| VOLVO..... | 43 |
| ZASTAVA | 45 |
| REBUILD PARTS..... | 46 |
| ALFA | 47 |
| AUDI..... | 47 |
| BMW | 47 |
| CHRYSLER..... | 48 |
| CITROEN..... | 48 |
| DAEWOO | 49 |
| DAIHATSU | 49 |
| FIAT | 49 |
| FORD | 50 |
| HONDA | 50 |

| | |
|------------------|----|
| HYUNDAI | 50 |
| IVECO..... | 51 |
| JAGUAR | 51 |
| JEEP | 51 |
| LANCIA..... | 51 |
| LAND ROVER | 51 |
| MAZDA | 51 |
| MERCEDES..... | 51 |
| MINI..... | 51 |
| MITSUBISHI..... | 52 |
| NISSAN | 52 |
| OPEL..... | 52 |
| PEUGEOT..... | 53 |
| PONTIAC..... | 53 |
| PORSCHE..... | 53 |
| RENAULT | 53 |
| ROVER | 54 |
| SAAB | 54 |
| SEAT..... | 54 |
| SUBARU..... | 54 |
| SUZUKI | 54 |
| ŠKODA..... | 55 |
| TOYOTA | 55 |
| VOLKSWAGEN..... | 55 |
| VOLVO..... | 55 |

NEW PARTS

| CODE VARGA- LANT | O.E. CODE | DESCRIPTION |
|----------------------------------|--|---|
| ALFA | | |
| TIE ROD ENDS | | |
| AL01001C | 60608980 | ALFA 145, 146 (10/ 94-02/01), 155 (02/92-) RH |
| AL01002C | 60608979 | ALFA 145, 146 (10/94-02/01), 155 (02/95-) LH |
| AL01003C | 9947920 | ALFA 147 (03/00-11/04), 156 (09/97-) RH |
| AL01004C | 9947919 | ALFA 147 (03/00-11/04), 156 (09/97-) LH |
| LINK STABILIZERS | | |
| AL02001P | 60625029 | ALFA 147(03/01-11/04), 156 (09/97-) - FRONT |
| AL02002P | 60613575 | ALFA 147(03/01-11/04), 156 (09/97-) - REAR |
| AL02001C | - | ALFA 166 - FRONT |
| AL02002C | - | ALFA 166 – REAR RH |
| AL02003C | - | ALFA 166 – REAR LH |
| SUSPENSION BALL JOINTS | | |
| AL03001C | 60556032 60566661 82398170 | ALFA 164 - fi 13 mm OLD TYPE |
| AL03002C | 60510360 | ALFA 164 - fi 15 mm NEW TYPE |
| AXIAL JOINTS | | |
| AL04001C | 9947923 | ALFA 147 (03/00-11/04), 156 (09/97-) |
| AL04003C | 60507910 9945565 | ALFA 164 power steering (01/87-08/98) |
| AL04002C | 9948297 | ALFA 166 (09/98-) |
| REAR CROSS RODS | | |
| AL54001C | 60629903 | ALFA 147 (03/00-11/04), 156 (09/97-) L=560mm |
| AL54002C | 60652167 46802680 | ALFA 147 (03/00-11/04), 156 (09/97-) L=592mm |
| AL54003C | 60651935 60622623 | ALFA 147 (03/00-11/04), 156 (09/97-) RH |
| AL54004C | 46802682 | ALFA 147 (03/00-11/04), 156 (09/97-) LH |
| CONTROL ARMS / WISHBONES | | |
| AL08001C | 60657246 60651940 | Upper wishbone ALFA 147 (03/00-11/04), 156 (09/97-) RH |
| AL08002C | 60657245 60651939 | Upper wishbone ALFA 147 (03/00-11/04), 156 (09/97-) LH |
| SILENT BLOCS – front axle | | |
| AL05001C | 60652465 | ALFA 147 (03/00-11/04), 156 (09/97-) – for upper wishbone |
| AL52001C | - | ALFA 147(03/00-11/04), 156 (09/97-) – for rear cross rod |
| AL52002C | - | ALFA 156 FI 38mm – for rear cross rod |
| AL05002C | 60620566 | Front LH - ALFA 147(03/00-11/04),156 (09/97-) – for lower control arm |
| AL05006C | 60620565 | Front RH - ALFA 147(03/00-11/04),156 (09/97-) – for lower control arm |
| AL05003C | - | Rear LH - ALFA 147 (03/00-11/04), 156(09/97-) – for lower control arm |
| AL05004C | - | Rear RH - ALFA 147 (03/00-11/04),156(09/97-) - for lower control arm |
| AL05005C | - | Outer - ALFA 147 (03/00-11/04),156(09/97-) – for lower control arm |
| AL05007C | 60588842 | Front - ALFA 164 (01/87-08/98) – for lower wishbone |
| AL05008C | 60588844 60588843 | Rear - ALFA 164 (01/87-08/98) – for lower wishbone |
| AUDI | | |
| TIE ROD ENDS | | |
| AU01002P AU01010C | 811419812A 811419812B | AUDI 80 (08/82-07/95) |
| AU01009C | 4D0419811A 4B0419811B 4B0419811C | AUDI A4 (11/94-), A6 (08/97-), A8 (03/94-) |
| AU01001C | 443419812B 443419812D | AUDI 100 (08/82-), A6 (-12/97) - M16X1,5 RH |
| AU01002C | 443419811B 443419811D | AUDI 100 (08/82-), A6 (-12/97) - M16X1,5 LH |

| | | |
|----------------------|--|---|
| AU01003C | 4A0419812A | AUDI 100 (12/90-07/92) - M18X1,5 RH |
| AU01004C | 4A0419811A | AUDI 100 (12/90-07/92) - M18X1,5 LH |
| AU01005C | 1J0422812B 3A0422812B | AUDI A3 (09/96-09/97) L= 74mm RH |
| AU01006C | 1J0422811B 3A0422811B | AUDI A3 (09/96-09/97) L= 74mm LH |
| AU01007C | 1J0422812A 3A0422812A | AUDI A3 (10/97-06/03) L= 94mm RH |
| AU01008C | 1J0422811A 3A0422811A | AUDI A3 (10/97-06/03) L= 94mm LH |
| VW01010C | 1K0423812A | AUDI A3 (07/03-) RH |
| VW01011C | 1K0423811A | AUDI A3 (07/03-) LH |
| | | LINK STABILIZERS |
| AU02001C | 1J0422315G 1J0422315H | AUDI A3 (10/97- 06/03) |
| VW02003C | 1K0411315D | AUDI A3 (07/03-) - FRONT |
| VW02004C | - | AUDI A3 (07/03-) - REAR |
| AU02002P | - | AUDI A4 (11/94-), A6 (08/97-),A8 (03/94-) -Fe |
| AU02004C | 4D0411317J 4D0411317G | AUDI A4 (11/94-), A6 (08/97-),A8 (03/94-) -Al |
| AU02005C | 4D0411317K | AUDI A4 (11/94-), A6 (08/97-),A8 (03/94-) – with silent blocs |
| AU02006C | 8E0411318 | AUDI A4 , A6 (11/00-) – silent bloc with coil RH |
| AU02007C | 8E0411317 | AUDI A4 , A6 (11/00-) - silent bloc with coil LH |
| AU02002C | 8A0505466C | AUDI 80 QUATTRO (08/91-07/95), A4 QUATTRO (11/94-11/00) – rear RH |
| AU02003C | 8A0505465C | AUDI 80 QUATTRO (08/91-07/95), A4 QUATTRO (11/94-11/00) – rear LH |
| AU02008C | 4F0505465N | AUDI A6 (05-) - rear |
| AU02001P | 893407465A 8A0407465C 893407465 | AUDI 80, AVANT, QATTRO (04/88-07/95) - front |
| | | SUSPENSION BALL JOINTS |
| AU03001P | 823407365A 823407365C | AUDI 80 (05/72-07/82) - fi 15 mm |
| AU03002P | 823407365E 321413025B | AUDI 80 (08/82-03/87) - fi 17 mm |
| AU03003P | 855407366 | AUDI 80 (09/86-09/91) - fi 17 mm power steering RH |
| AU03004P | 855407365 | AUDI 80 (09/86-09/91) - fi 17 mm power steering LH |
| AU03005P | 893407366A | AUDI 80 (09/86-09/91) - fi 19 mm manual steering RH |
| AU03006P | 893407365A | AUDI 80 (09/86-09/91) - fi 19 mm manual steering LH |
| AU03001C | 8A0407366 | AUDI 80 (08/91-07/95) - fi 19 mm (3 screws) RH |
| AU03002C | 8A0407365 | AUDI 80 (08/91-07/95) - fi 19 mm (3 screws) LH |
| AU03011P | 1J0407366A 1J0407366B 1J0427366C | AUDI A3 (09/96-06/03) RH |
| AU03012P | 1J0407365A 1J0407365B 1J0407365C | AUDI A3 (09/96-06/03) LH |
| VW03009C | 1K0407366E | AUDI A3 (07/03-) RH |
| VW03010C | 1K0407365E | AUDI A3 (07/03-) LH |
| | | AXIAL JOINTS |
| AU04001C | 1J0422821A | AUDI A3 (09/96-09/97) - long |
| AU04003P AU04002C | 1J0422807 1J0422807A | AUDI A3 (10/97-) - short |
| VW04009C | 1K0423810A | AUDI A3 (07/03-) |
| AU04001P | 4D0422821 4B0422821 | AUDI A4 (11/94-), A6 (08/97-), A8 (03/94-) |
| | | REAR AXLE STEERING JOINTS |
| AU50001P | - | AUDI 100 QUATTRO (12/90-07/94), A6 QUATTRO (06/94-07/97) - UPPER |
| AU50002P | - | AUDI 100 QUATTRO (12/90-07/94), A6 QUATTRO (06/94-07/97) – LOWER |
| | | CONTROL ARMS / WISHBONES |
| AU08007C | 8D0407506B 8D0407506H | Front upper control arm - straight AUDI A4 (11/94-), A6 (08/97-) RH |
| AU08008C | 8D0407505B 8D0407505H | Front upper control arm - straight AUDI A4 (11/94-), A6 (08/97-) LH |
| AU08014C | 4D0407505A | Front upper control arm - straight AUDI A8 (03/94-) RH+LH |

| | | |
|----------------------|--|---|
| | 4D0407505D 4D0407505F | |
| AU08009C | 4D0407510D | Rear upper control arm - curved AUDI A4(11/94-), A6(08/97-), A8 RH |
| AU08010C | 4D0407509D | Rear upper control arm - curved AUDI A4(11/94-), A6(08/97-), A8 LH |
| AU08011C | 4D0407151G 4D0407151H 4D0407151J | Front lower control arm - straight AUDI A4(11/94-), A6(08/97-), A8 |
| AU08001C | 8E0407151M | Front lower control arm - straight AUDI A4, A6 (11/00-) |
| AU08012C | 4D0407694M 4D0407694N 8E0407694 | Rear lower control arm - curved AUDI A4 (11/94-), A6 (08/97-), A8 RH |
| AU08013C | 4D0407693M 4D0407693N 8E0407693 | Rear lower control arm - curved AUDI A4 (11/94-), A6 (08/97-), A8 LH |
| AU08005C | 895407148A | Lower wishbone AUDI 80 (08/91-07/95) - fi 19 mm (3 screws) - with ball joint RH |
| AU08006C | 895407147A | Lower wishbone AUDI 80 (08/91-07/95) - fi 19 mm (3 screws) - with ball joint LH |
| AU08002C | 1J0407151A 1J0407151B 1J0407151C | Lower wishbone AUDI A3 (09/96-06/03) - without ball joint |
| AU08003C | - | Lower wishbone AUDI A3 (09/96-06/03) - with ball joint RH |
| AU08004C | - | Lower wishbone AUDI A3 (09/96-06/03) – with ball joint LH |
| | | SILENT BLOCS – front axle |
| AU05011C | - | AUDI 50 (08/74-09/81) – for lower control arm |
| AU05004C | 857407181 8A0407181 | (Fe housing) AUDI 80 – 90 (09/86-07/95) - for wishbone |
| AU05013C | 811407181 811407181A | AUDI 80-90 (09/86-07/95) |
| AU05007C | 893407181 | (Fe housing) AUDI 80 – S2 (92-94) - for wishbone |
| AU05006C | 431407181F 431407182 431407201C | Outer (half) - AUDI 100 (76-90) – for lower control arm |
| AU05001C | 4A0407181 4A0407181A | Outer (half) - AUDI 100 (12/90-07/94), A6 (06/94-07/97) – for lower control arm |
| AU05002C | 4A0407183C 4A0407183D | Inner - AUDI 100 (12/90-07/94), A6 (06/94-07/97) – for lower control arm |
| AU05101P | 4A0407183C 4A0407183D | Inner - AUDI 100 (12/90-07/94), A6 (06/94-07/97) – for lower control arm |
| AU05015C | 431407183A | Inner - AUDI (76-90) – for lower control arm |
| AU05008C | 4D0407515C | AUDI A4, A6, A8 – for upper control arm |
| AU05009C | 4D0407182E 8E0407182A | Inner - AUDI A4, A6, A8 – front lower control arm |
| AU05014C | 4D0407181F 4D0407181H | Outer - AUDI A4, A6, A8 – for front lower control arm |
| AU05012C | 4D0407183M 4D0407183N 4D0407183P | Inner - AUDI A4, A6, A8 – for rear lower control arm |
| AU05003C | 4D0407516C | AUDI A8 (03/94-) – for front upper control arm |
| AU05010C | 191407182 357407182 357407182F | Front - AUDI A3 (09/96-06/03) – for wishbone |
| AU05005C | 1J0407181 | Rear - AUDI A3 (09/96-06/03) – for wishbone |
| | | REAR AXLE MOUNTING |
| AU51001C | 8A0501541 | AUDI 80-90 (08/74-07/95) |
| BMW | | |
| | | TIE ROD ENDS |
| BW01003C | 32111126757 | BMW E30 - series 3 (09/82-05/94) |
| BW01001P BW01001C | 32211135820 | BMW E34 - series 5 (02/88-02/97) M14 X 1,5 RH |
| BW01002P BW01002C | 32211135819 | BMW E34 - series 5 (02/88-02/97) M14 X 1,5 LH |
| BW01004C | 32111139314 | BMW E36 - series 3 (09/90-03/00) RH |
| BW01005C | 32111139313 | BMW E36 - series 3 (09/90-03/00) LH |
| BW01006C | 32111091770 | BMW E39 - series 5 (03/96-) RH |

| | | |
|----------|---|--|
| BW01007C | 32111091769 | BMW E39 - series 5 (03/96-) LH |
| BW01008C | 32211095958 | BMW E46 – serija 3 (05/98-), Z4 RH |
| BW01009C | 32211095957 | BMW E46 – serija 3 (05/98-), Z4 LH |
| | | LINK STABILIZERS |
| BW02001P | 31351134582 31351128050 31351127194 | BMW E34 series 5, E36 series 3(10/91-03/00) |
| AU02001P | 31351095694 | BMW E46 (05/98-) FRONT |
| BW02003P | 31351095662 31351091856 | BMW E39 series 5 (09/95-03) FRONT - RH |
| BW02004P | 31351095661 31351091855 | BMW E39 series 5 (09/95-03) FRONT - LH |
| BW02005P | 33551092292 | BMW E39 series 5 (09/95-03) REAR |
| BW02001C | 31351091764 31351127689 31351128737 | BMW E36 (09/82-03/00) – tie rod end + silent bloc |
| BW02002C | 33551135307 | BMW E36, E28, E34, E32, Z3 – rear/ short |
| BW02003C | 33551124375 33551126932 | BMW series 3 (E30,E36,E46), series 5 (E28), series 6 (E24), series 7 (E23) –rear/ long |
| BW55001C | 33551126932 33551124375 | BMW E23 (77-86), E28 (81-87), E32 (86-84), E34 (02/88-02/97) – FRONT (silent blocs on both side) |
| | | SUSPENSION BALL JOINTS |
| BW03001P | 31121126253 | BMW E30 (09/82-08/90), E36 (09/90-98) – long (central) |
| BW03002P | 31121140398 | BMW E30 (09/82-08/90) - outer |
| BW03003P | 31121140398 31126758510 | BMW E36 (09/90-03/00) fi 49 mm |
| BW03001C | 31126756491 31121096425 | BMW X5 (01/00-) |
| | | AXIAL JOINTS |
| BW04001C | 32111130451 | BMW E30 – series 3 (09/82-05/94) |
| BW04002C | - | BMW E36 – series 3 (09/90-03/00) |
| BW04003C | - | BMW E39 – series 5 (09/95-) |
| BW04004C | 32211095950 | BMW E46 – series 3 (05/98-) |
| | | CONTROL ARMS / WISHBONES |
| BW08001C | 31121141718 | Upper control arm (AL) – large/upper BMW E 39 (03/96-) RH |
| BW08002C | 31121141717 | Upper control arm (AL) – large/upper BMW E 39 (03/96-) LH |
| BW08003C | 31121093450 31121094234 | Lower control arm (AL) – small/lower BMW E 39 (03/96-) RH |
| BW08004C | 31121093449 31121094233 | Lower control arm (AL) – small/lower BMW E 39 (03/96-) LH |
| | | SILENT BLOCS – front axle |
| BW05005C | 31121135351 31129059288 | BMW E30 (09/82-05/94), E36 (09/90-03/00) series 3 – for wishbone |
| BW05010C | - | BMW E30 (09/82-05/94), E36 (09/90-03/00) series 3 – for wishbone (housing + silent bloc) RH |
| BW05011C | - | BMW E30 (09/82-05/94), E36 (09/90-03/00) series 3 - for wishbone (housing + silent bloc) LH |
| BW05007C | - | BMW E32 series 7 (86-94), E34 series 5 (88-97) – for upper control arm |
| BW05008C | - | BMW E38 series 7 (06/94-11/01), E39 series 5(09/95-) - for lower control arm |
| BW05001C | 31129068753 31121092010 | BMW E 39 (03/96-) – for control arm (large/upper) |
| BW05006C | 31126745899 | BMW E46 (05/98-00) FI 60 mm – for wishbone |
| BW05002C | - | BMW E46 (00-) FI 66 mm – for wishbone |
| BW05004C | 31121095278 31121096984 31124004360 | BMW E46 (98-) with AL housing RH – set for wishbone |
| BW05013C | 31121095277 31121096938 31124004359 | BMW E46 (98-) with AL housing LH – set for wishbone |
| BW05003C | 31121124622 | BMW E28 (06/81-08/87), E34 (02/88-02/97), E39 (09/95-) – for lower control arm |
| BW05009C | 31121096372 | BMW series X5 (01/00-) – for lower control arm |
| BW05012C | 31126765991 | BMW E65 series 7 (11/01-) – for uper control arm |
| | | SILENT BLOCS – rear axle |
| BW52004C | 33171130903 | Rear - E34 series 5, E32 series 7 – for rear axle control arm |

| | | |
|-------------------------------|------------------------------------|---|
| | 33171130874 | |
| BW52001C | 33321140345 | BMW E36 (09/90-03/00), E46 (05/98-) |
| BW52007C | 33321090102 | BMW E38 series 7 (06/94-11/01) – for rear axle front control arm |
| BW52003C | - | BMW E38 series 7 (06/94-11/01) – for rear axle rear control arm |
| BW52002C | 33321095631 | BMW E39 (03/96-) |
| BW52005C | 33319059300 | Front - BMW E36 series 3(09/90-03/00), Z3 |
| BW52006C | 33319059301 | Rear - BMW E36 series 3 (09/90-03/00), Z3 |
| BW52008C | - | BMW X5 (01/00-) – for rear wishbone |
| CITROEN | | |
| TIE ROD ENDS | | |
| CI01001C | 381731 381742 9471000665 | CITROEN AX (09/86-12/98), SAXO (03/96-10/03), XANTIA (11/92-) RH |
| CI01002C | 381730 381741 9471000565 | CITROEN AX (09/86-12/98), SAXO (03/96-10/03), XANTIA (11/92-) LH |
| CI01005C | 381718 381750 9471000965 | CITROEN C 15, XSARA, ZX, PICASSO, BERLINGO |
| CI01002P | 1306003080 405909 | CITROEN JUMPY, EVASION (06/94-) |
| CI01003C | 1306716080 1471655080 4018A3 | CITROEN JUMPER (94-) |
| CI01004C | 4018E0 | CITROEN JUMPER (04/02-) |
| CI01006C | 381756 | CITROEN C3 RH |
| CI01008C | 381755 | CITROEN C3 LH |
| CI01007C | - | CITROEN C25 (07/81-03/94) M16 X 1,5 |
| LINK STABILIZERS | | |
| CI02001C | 1300716080 508737 | CITROEN JUMPER (04/94-) - set with rubber |
| CI02002C | 1308664080 1317425080 508735 | CITROEN JUMPY (06/94-) - set with rubber |
| CI02001P | 508746 508734 508739 | CITROEN BERLINGO, XSARA, PICASSO, ZX |
| CI02003C | 96152213 508742 | CITROEN BERLINGO, XSARA, PICASSO,ZX, - PVC |
| CI02002P | 96145457 | CITROEN XANTIA (11/92-11/97) - coil M10 |
| CI02003P | 508740 93802209 96177836 | CITROEN XANTIA (12/97-) - coil M12 |
| CI02004P | 508730 508741 96080894 | CITROEN XM (05/89-10/00) |
| CI02005P | 508745 96288787 | CITROEN C3 (05/02-) |
| CI02006P | 508748 508743 96324274 | CITROEN C5 (03/01-) |
| SUSPENSION BALL JOINTS | | |
| CI03001P | 95603309 | CITROEN AX (09/86-91) - fi 14 mm |
| CI03002P | 96093233 364036 | CITROEN AX (91-12/98),SAXO (03/96-10/03)- fi 16 mm |
| CI03003P | 95494204 96041652 90641652 | CITROEN BX (82-) |
| CI03004P | 364056 | CITROEN C3 (05/02-) |
| CI03001C | 95028039 364028 364034 | CIT. XANTIA(11/92-11/97), XM(05/89-10/00), C5(03/01) |
| CI03002C | 364039 96025445 | CITROEN BERLINGO (09/96-09/98), XSARA (09/96-09/98), ZX (08/91-06/97) power steering - fi 16 mm |
| CI03007C | 364051 96087507 | CITROEN BERLINGO (09/98-12/02), XSARA (09/98-12/02), ZX (08/91-06/97) power steering - fi 18 mm |

| | | |
|----------|------------------------------------|--|
| CI03008P | 4388159 3640.18 3640.29 | CITROEN C 25 (07/81-09/85) - M14 X 1,5 |
| CI03009P | 7567284 364026 | CITROEN C 25 (10/85-03/94) - M16 X 1,5 |
| CI03003C | 1302368080 4018H4 | CITROEN JUMPER 1.0 T– 1.4T (04/94-04/02) M16 X 1,5 |
| CI03004C | 1300473080 364033 | CITROEN JUMPER 1.8T (04/94-04/02) M18 X 1,5 |
| CI03005C | 3640.55 | CITROEN JUMPER 1.0 T– 1.4T (04/02-) M16 X 1,5 |
| CI03006C | 1331641080 3640.54 | CITROEN JUMPER 1.8T (04/02-) M18 X 1,5 |
| CI03013P | 91504248 | CITROEN VISA |
| | | AXIAL JOINTS |
| CI04001P | 95603783 | CITROEN BX (82-) |
| CI04002P | 9750001180 9750390080 | CITROEN C25 (10/85-03/94) manual steering (inner coil) |
| CI04006C | 9945836 400624 | CITROEN JUMPER (04/94-), (04/02-) power steering |
| CI04004C | 9566950880 3812A4 3520G9 | CITROEN EVASION, JUMPY (06/94-) |
| CI04005P | 3812.C6 | CITROEN PICASSO (12/99-) |
| CI04002C | 96048214 3812C0 | CITROEN ZX (08/91-06/97) L = 335 mm |
| CI04003C | 381292 | CITROEN ZX (08/91-06/97) L = 355 mm |
| CI04001C | 96032460 381299 | CITROEN XM (05/89-10/00) |
| CI04007C | 3812E1 | CITROEN C3 (05/02-) |
| CI04008C | 3812.C8 | CITROEN C5 (03/01-) |
| | | CONTROL ARMS / WISHBONES |
| CI08009C | 352079 95658979 | Lower wishbone CITROEN AX (91-12/98), SAXO (03/96-10/03) RH |
| CI08010C | 352078 95658978 | Lower wishbone CITROEN AX (91-12/98), SAXO (03/96-10/03) LH |
| CI08011C | 352081 352093 | Lower wishbone CITROEN SAXO VTS (03/96-10/03) RH |
| CI08012C | 352080 352092 | Lower wishbone CITROEN SAXO VTS (03/96-10/03) LH |
| CI08005C | 1308760080 1317239080 352166 | Lower wishbone CITROEN JUMPER 1.8T MAXI (04/94-04/02) RH |
| CI08006C | 1308759080 1317238080 352096 | Lower wishbone CITROEN JUMPER 1.8T MAXI (04/94-04/02) LH |
| CI08003C | 3521G4 95685513 | Lower wishbone CITROEN ZX (08/91-06/97), XSARA (10/97-) – without ball joint RH |
| CI08004C | 3520C4 95685512 | Lower wishbone CITROEN ZX (08/91-06/97), XSARA (10/97-) – without ball joint LH |
| CI08001C | 95658884 3521A6 | Lower wishbone CITROEN ZX (08/91-06/97), XSARA (10/97-) – with ball joint RH |
| CI08002C | 95658885 3520A3 3520F6 | Lower wishbone CITROEN ZX (08/91-06/97), XSARA (10/97-) – with ball joint LH |
| CI08007C | 352181 | Lower wishbone CITROEN XANTIA (11/92-98) RH |
| CI08008C | 3520C1 | Lower wishbone CITROEN XANTIA (11/92-98) LH |
| | | SILENT BLOCS – front axle |
| CI05006C | 352329 | Outer (half) CITROEN C15 (10/84-12/97) – for control arm |
| CI05016C | 4331968 | CITROEN C25 (81-03/94) - (with tube) – for control arm |
| CI05001C | 1300507080 | Front - CITROEN JUMPER(04/94-) – (without tube) – for front wishbone |
| CI05005C | - | Front - CITROEN JUMPER (04/94-) – (with tube) – for front wishbone |
| CI05002C | 130869480 | Rear - CITROEN JUMPER (04/94-) – for front wishbone |
| CI05003C | 96110483 352375 | Front (half) - CITROEN ZX (08/91-06/97), BERLINGO (09/96-12/02),XSARA(10/97-) – for front wishbone |
| CI05004C | - | Rear - CITROEN ZX(08/91-06/97), BERLINGO (09/96-12/02), XSARA (10/97-) – for |

| | | |
|-----------------|--|--|
| | | front wishbone |
| CI05007C | 352350 | Front - CITROEN AX(09/86-12/98),SAXO(03/96-10/03) – for wishbone |
| CI05008C | 352351 | Rear - CITROEN AX(09/91-12/98),SAXO(03/96-10/03) – for wishbone |
| CI05012C | 352320 | Inner - CITROEN VISA, C15 (82-97) – for control arm |
| CI05009C | 1312317080 | Front - CITROEN JUMPY (06/94-) – for wishbone |
| CI05010C | 1305552080 | Rear - CITR. JUMPY (06/94-) RH – for wishbone |
| CI05011C | 1305551080 | Rear - CITROEN JUMPY (06/94-) LH – for wishbone |
| CI05013C | 96083570 | Front - CITROEN XANTIA (12/97-) – for wishbone |
| CI05014C | 352382 | Rear - CITR. XANTIA (12/97-) RH – for wishbone |
| CI05015C | 352381 | Rear - CITR. XANTIA (12/97-) LH – for wishbone |
| PE05107P | - | Front – CITROEN XM (05/89-10/00) |
| PE05108P | - | Rear - CITROEN XM (05/89-10/00) |
| | | REAR AXLE MOUNTINGS |
| CI51002P | - | CITROEN ZX(08/91-06/97) FRONT RH |
| CI51003P | - | CITROEN ZX(08/91-06/97) FRONT LH |
| CI51001C | 513171 | CITROEN ZX(08/91-06/97) REAR |
| CHRYSLER | | |
| | | LINK STABILIZERS |
| CH02001P | - | CHRYSLER VOYAGER I.(01/84-01/95),II.(01/95-03/01) |
| | | SUSPENSION BALL JOINTS |
| CH03001P | 5274470 | CHRYSLER VOYAGER I. (01/84-01/95), II. (01/95-03/01) |
| | | AXIAL JOINTS |
| CH04001P | - | CHRYSLER VOYAGER I. (01/84-01/95), LE BARON |
| CH04002P | - | CHRYSLER VOYAGER II. (01/95-03/01) |
| DAEWOO | | |
| | | TIE ROD ENDS |
| DW01001P | 962005809 | DAEWOO LEGANCA (06/97-), NUBIRA (06/97-) |
| DW01004C | 96205798 | |
| DW01003C | 48810A78B00 | DAEWOO TICO (02/95-), MATIC (09/98-) - M12x1,5 |
| DW01001C | 26001806 324038 0324038 | DAEWOO LANOS (06/97-), NEXIA (02/95-06/97) , RACER RH |
| DW01002C | 26001807 324039 90140007 | DAEWOO LANOS (06/97-), NEXIA (02/95-06/97), RACER LH |
| | | LINK STABILIZERS |
| DW02002C | 96391875 | DAEWOO KALOS (05-) FRONT |
| DW02001P | 96300627 | DAEWOO NUBIRA I. (06/97-99) FRONT |
| DW02002P | 96300222 | DAEWOO NUBIRA I. (06/97-99) REAR |
| DW02003P | 96275798 | DAEWOO NUBIRA II. (99-), TACUMA (00-) FRONT |
| DW02001C | 96129839 11087513 | DAEWOO ESPERO, NEXIA, LANOS, RACER (10/91-) |
| | | SUSPENSION BALL JOINTS |
| DW03001P | 96300648 | DAEWOO NUBIRA I., II. (06/97-) |
| DW03001C | 90375505 94788122 1603120 | DAEWOO LANOS (06/97-), NEXIA (02/95-06/97), RACER |
| DW03002C | 96213119 | DAEWOO LEGANZA (06/97-) |
| | | AXIAL JOINTS |
| DW04001C | 96205809 96205798 | DAEWOO LEGANCA (06/97-), NUBIRA (06/97-) |
| | | CONTROL ARMS / WISHBONES |
| DW08001C | 45200A78B01-000 | Control arm / wishbone DAEWOO MATIC (09/98-), TICO (02/95-) |
| | | SILENT BLOCS – front axle |
| DW05003C | 0352349 0352334 90235042 90335966 | Front - DAEWOO RACER, NEXIA, LANOS (91-97) – for wishbone |
| DW05004C | 352335 | Rear - DAEWOO RACER, NEXIA, LANOS (91-97) – for wishbone |

| | | |
|-----------------|--|---|
| | 352358 90235040 | |
| DW05001C | 96268439 96268440 | Front - DAEWOO NUBIRA I, II (06/97-) – for wishbone |
| DW05002C | - | Rear - DAEWOO NUBIRA I, II (06/97-) – for wishbone |
| DW05001P | - | Front - DAEWOO NUBIRA I., II. - for wishbone |
| DW05002P | - | Rear - DAEWOO NUBIRA I., II. – for wishbone |
| | | OTHER |
| DW98001C | 353460 | Tube for rear silent bloc DAEWOO NUBIRA |
| DAIHATSU | | |
| | | TIE ROD ENDS |
| DH01001C | 4504687580 | DAIHATSU HI-JET (06/81-06/86)- M14 X 1,5 RH |
| DH01002C | 4504787580 | DAIHATSU HI-JET (06/81-06/86)- M14 X 1,5 LH |
| DH01003C | 4504687784 4504687781 4504687782 | DAIHATSU APPLAUSE (06/89-07/97) RH |
| DH01004C | 4504787780 4504787280 4504787282 | DAIHATSU APPLAUSE (06/89-07/97) LH |
| | | AXIAL JOINTS |
| DH04001C | 45503-87102 | DAIHATSU APPLAUSE (06/89-07/97) |
| | | SILENT BLOCS – front axle |
| DH05001C | - | Inner - DAIHATSU APPLAUSE (06/89-07/97) – for control arm |
| DH05002C | - | Outer - DAIHATSU APPLAUSE (06/89-07/97) – for control arm |
| FIAT | | |
| | | TIE ROD ENDS |
| FI01004C | 46456660 98845031 | FIAT ALBEA (03-), PALIO (04/96-), DOBLO 1.9JTD (03/01-) - M14 X 1,5 RH |
| FI01005C | 46456189 98845032 | FIAT ALBEA (03-), PALIO (04/96-), DOBLO 1.9JTD (03/01-) - M14 X 1,5 LH |
| FI01001P | 82392503 | FIAT CROMA (12/85-12/96) manual steering M12X1,5 |
| FI01002P | 6051162 60507918 | FIAT CROMA (12/85-12/96) power steering M14X1,5 |
| FI01006C | 9947714 | FIAT DOBLO (03/01-), MAREA (09/96-02/99), MULTIPLA (01/00-) |
| CI01007C | - | FIAT DUCATO (07/81-03/94) M16 X 1,5 |
| CI01003C | 1306716080 1471655080 4018A3 | FIAT DUCATO (04/94-) |
| CI01004C | 4018E0 | FIAT DUCATO (04/02-) |
| FI01001C | 5960835 SE141162410A | FIAT PANDA (11/82-03) |
| FI01008C | 77362508 | FIAT PANDA (03-) RH |
| FI01009C | 77362507 | FIAT PANDA (03-) LH |
| CI01002P | 1306003080 405909 | FIAT SCUDO (10/95-), ULYSSE (09/94-07/02) |
| FI01007C | 9949218 | FIAT STILO (10/01-) |
| FI01002C | 7511215 9947438 60806355 | FIAT TIPO, TEMPRA (88-95), BRAVO, BRAVA (11/95-10/01) RH |
| FI01003C | 7591216 9947439 60806356 | FIAT TIPO, TEMPRA(88-95), BRAVO, BRAVA (11/95-10/01) LH |
| | | LINK STABILIZERS |
| FI02001C | 60570627 7601642 7601643 | FIAT TIPO, BRAVO, BRAVA - set with rubber |
| CI02001C | 1300716080 508737 | FIAT DUCATO (04/94-) - set with rubber |
| FI02001P | 46799278 46767267 | FIAT DOBLO (03/01-) REAR |
| FI02002P | 46413122 | FIAT MAREA (09/96-12/99) , MULTIPLA (01/00-) |
| FI02002C | 50703296 | FIAT PANDA (03-) FRONT |

| | | |
|----------|------------------------------------|--|
| CI02002C | 1308664080 1317425080 508735 | FIAT SCUDO (10/95-) - set with rubber |
| FI02003P | 50700941 | FIAT STILO (10/01-) |
| | | SUSPENSION BALL JOINTS |
| FI03001C | 46437951 | FIAT ALBEA (03-) power steering |
| FI03003C | 46543045 | FIAT DOBLO (03/01-09/02) |
| FI03004C | - | FIAT DOBLO (housing under angle) |
| CI03008P | 4388159 3640.18 3640.29 | FIAT DUCATO (07/81-09/85) - M14 X 1,5 |
| CI03009P | 7567284 364026 | FIAT DUCATO (10/85-03/94) - M16 X 1,5 |
| CI03003C | 1302368080 4018H4 | FIAT DUCATO 1.0 T- 1.4T (04/94-04/02) - M16 X 1,5 |
| CI03004C | 1300473080 364033 | FIAT DUCATO 1.8T (04/94-04/02) - M18 X 1,5 |
| CI03005C | 1331640080 364055 | FIAT DUCATO 1.0 T- 1.4T (04/02-) - M16 X 1,5 |
| CI03006C | 1331641080 364054 | FIAT DUCATO 1.8T (04/02-) - M18 X 1,5 |
| FI03002C | 46437959 | FIAT PALIO (04/96-), ALBEA (03-) – manual steering |
| FI03001P | 4402649 4402644 SE141140104A | FIAT UNO (04/83-10/94), PANDA (03/80-12/95) – with safety fuse |
| FI03002P | - | FIAT UNO (04/83-10/94),PANDA (03/80-12/95) – with screw |
| | | AXIAL JOINTS |
| FI04001P | 9941625 | FIAT BRAVO, BRAVA (11/95-10/01) power steering |
| FI04002P | 9941625 | FIAT CROMA (12/85-12/96) power steering |
| FI04006C | - | FIAT DOBLO (03/01-) M14 X 1,5 - L=334 mm |
| FI04007C | 98845030 | FIAT DOBLO (03/01-) 1.9 JTD |
| FI04003C | 7076231 | FIAT FIORINO (10/82-), PANDA (11/82-03) |
| FI04008C | 77362506 | FIAT PANDA (03-) |
| FI04002C | 9947713 | FIAT MAREA (09/96-12/99) , MULTIPLA (01/00-) |
| FI04004P | 7701491 9946948 | FIAT PUNTO (03/94-07/99), TIPO, TEMPRA (88-10/93) manual steering |
| FI04005P | 9941625 | FIAT TIPO, TEMPRA (10/93-) power steering |
| FI04007P | 9945562 | FIAT PUNTO (03/94-07/99) power steering |
| FI04005C | 9948343 | FIAT PUNTO (09/99-) power steering |
| CI04002P | 4018.A4 | FIAT DUCATO (10/85-03/94) manual steering (inner coil) |
| CI04006C | 4018.A4 | FIAT DUCATO (04/94-), (04/02-) power steering |
| FI04004C | 7658273 | FIAT SEICENTO (01/98-) |
| CI04004C | 9566950880 3812A4 3520G9 | FIAT SCUDO (10/95-), ULYSSE (09/94-07/02) |
| FI04001C | 9949217 | FIAT STILO (10/01-) |
| | | CONTROL ARMS / WISHBONES |
| FI08005C | 60564478 | Control arm FIAT 131 (10/74-12/86), MIRAFIORI (86-01) |
| FI08014C | - | Wishbone FIAT DOBLO, PALIO (00-) without ball joint RH |
| FI08015C | - | Wishbone FIAT DOBLO, PALIO (00-) without ball joint LH |
| FI08001C | 46454598 | Wishbone FIAT DOBLO (00-09/02), PALIO (04/96-)– small ball joint RH |
| FI08002C | 46454597 | Wishbone FIAT DOBLO (00-09/02), PALIO (04/96-) – small ball joint LH |
| FI08003C | 46539279 | Wishbone FIAT DOBLO, PALIO (10/02-) – big ball joint RH |
| FI08004C | 49539278 | Wishbone FIAT DOBLO, PALIO (10/02-) – big ball joint LH |
| FI08012C | 46522147 46764747 | Wishbone FIAT MULTIPLA (98-) RH |
| FI08013C | 46525407 46764746 | Wishbone FIAT MULTIPLA (98-) LH |
| FI08016C | 50703129 | Lower wishbone FIAT PANDA (03-) RH |
| FI08017C | 50703128 | Lower wishbone FIAT PANDA (03-) LH |
| FI08006C | 46545661 | Wishbone FIAT PUNTO (09/99-) RH |
| FI08007C | 46545660 | Wishbone FIAT PUNTO (09/99-) LH |
| FI08008C | 7636996 | Lower wishbone FIAT SEICENTO (01/98-) RH |
| FI08009C | 7636995 | Lower wishbone FIAT SEICENTO (01/98-) LH |

| | | |
|----------------------------------|------------------------------------|---|
| FI08010C | 50700779 | Lower wishbone FIAT STILO (10/01-) RH |
| FI08011C | 50700797 | Lower wishbone FIAT STILO (10/01-) LH |
| CI08005C | 1308760080 1317239080 352166 | Lower wishbone FIAT DUCATO 1.8T MAXI (04/94-04/02) RH |
| CI08006C | 1308759080 1317238080 352096 | Lower wishbone FIAT DUCATO 1.8T MAXI (04/94-04/02) LH |
| SILENT BLOCS – front axle | | |
| FI05021C | 46454061 | Rear - FIAT ALBEA (03-), PALIO (04/96-) – for lower RH wishbone (manual steering) |
| FI05022C | 46454062 | Rear - FIAT ALBEA (03-), PALIO (04/96-) – for lower LH wishbone (manual steering) |
| AL05007C | 60588842 | Front - FIAT CROMA (12/85-12/96) – for lower wishbone |
| AL05008C | 60588844 60588843 | Rear - FIAT CROMA (12/85-12/96) – for lower wishbone |
| FI05011C | 46421552 | Front - FIAT ALBEA (03-), DOBLO (03/01-), PALIO (01-) – for wishbone |
| FI05012C | 46748579 | Rear - FIAT ALBEA (03-), DOBLO (03/01-), PALIO (00-) – for RH wishbone (power steering) |
| FI05013C | 46748578 | Rear - FIAT ALBEA (03-), DOBLO (03/01-), PALIO (00-) – for LH wishbone (power steering) |
| FI05016C | - | Inner - FIAT DUNA (03/85-10/94), FIORINO (04/88-) – for control arm |
| CI05107P | 4331968 | FIAT DUCATO (81-03/94) – for control arm (with tube) |
| CI05001C | 1300507080 | Front - FIAT DUCATO (04/94-) – for front wishbone (without tube) |
| CI05005C | - | Front - FIAT DUCATO (04/94-) – for front wishbone (with tube) |
| CI05002C | 130869480 | Rear - FIAT DUCATO (04/94-) – for front wishbone |
| FI05005C | - | Front - FIAT MULTIPLA (98-) – for wishbone |
| FI05020C | 4157013 | FIAT PANDA (03/80-12/95) – for wishbone |
| FI05006C | 7775344 | Rear - FIAT PUNTO (03/94-07/99) – for RH wishbone |
| FI05007C | 7775343 | Rear - FIAT PUNTO (03/94-07/99) – for LH wishbone |
| FI05002C | - | Front - FIAT PUNTO (09/99-) – for wishbone |
| FI05015C | - | Rear - FIAT PUNTO (09/99-) – for wishbone |
| CI05009C | 1312317080 | Front - FIAT SCUDO (10/95-) – for wishbone |
| CI05010C | 1305552080 | Rear - FIAT SCUDO (10/95-) – for RH wishbone |
| CI05011C | 1305551080 | Rear - FIAT SCUDO (10/95-) – for LH wishbone |
| FI05019C | 50700443 | Front - FIAT STILO (10/01-) – for wishbone |
| FI05018C | 50700778 | Rear - FIAT STILO (10/01-) – for wishbone |
| FI05001P | 50700778 | Rear - FIAT STILO (10/01-) – for wishbone |
| FI05010C | 7673581 | Front - FIAT UNO (04/83-10/94) – for wishbone |
| FI05001C | - | Front - FIAT TIPO (fi 20 mm) – for wishbone |
| FI05009C | - | Rear - FIAT TIPO (fi 20 mm) – for RH wishbone |
| FI05014C | - | Rear - FIAT TIPO (fi 20 mm) – for LH wishbone |
| FI05008C | 7601064 7601065 | Front - FIAT TIPO FI 21 mm – for wishbone |
| FI05003C | 7601068 | Rear - FIAT TIPO FI 21 mm - for RH wishbone |
| FI05004C | 7601065 | Rear - FIAT TIPO FI 21 mm - for LH wishbone |
| FI05017C | 5927293 7673582 | Rear - FIAT UNO (04/83-10/94) – for wishbone |
| FI05108P | - | FIAT 500 – for rear axle |
| REAR AXLE MOUNTING | | |
| FI51001P | 46476755 | FIAT PUNTO (03/94-07/99) – set for both sides |
| OTHER | | |
| FI98001P | - | Rear wishbone screw FIAT PUNTO (03/94-07/99) |
| FI98002P | - | Rear wishbone screw FIAT BRAVO, TEMPRA, TIPO |
| FI98003P | - | Set for rebuilding rear wishbone FIAT PUNTO (03/94-07/99) |
| FI98004P | - | Set for rebuilding rear wishbone FIAT TIPO, BRAVO, TEMPRA |
| FORD | | |
| TIE ROD ENDS | | |
| FO01001C | 1447222 1571221 5021410 | FORD ESCORT (08/80-08/90), FIESTA (08/83-02/89) |

| | | |
|----------|--|--|
| FO01001P | 5024332 1015546 6555936 | FORD ESCORT (08/90-02/99) RH |
| FO01002P | 5024333 1015547 6555938 | FORD ESCORT (08/90-02/99) LH |
| FO01002C | 1011857 1020174 1E0032280A | FORD FIESTA (08/95-01/02) RH |
| FO01003C | 1011858 1020175 1E0132280A | FORD FIESTA (08/95-01/02) LH |
| FO01004C | Y1256J3289AC 1202548 | FORD FIESTA – FUSION (05/02-) RH |
| FO01005C | Y1256J3290AC 1202549 | FORD FIESTA – FUSION (05/02-) LH |
| FO01006C | 1074305 | FORD FOCUS (10/98-) RH |
| FO01007C | 1074306 | FORD FOCUS (10/98-) LH |
| VW01007C | 1092378 7M0422818 7M0422818B | FORD GALAXY (06/95-) RH |
| VW01008C | 1092380 7M0422817 7M0422817B | FORD GALAXY (06/95-) LH |
| FO01008C | 5027452 | FORD MONDEO (02/93-07/96) RH |
| FO01009C | 5027451 | FORD MONDEO (02/93-07/96) LH |
| FO01010C | 1035690 1097316 | FORD MONDEO (08/96-10/00) RH |
| FO01011C | 1035691 1097323 | FORD MONDEO (08/96-10/00) LH |
| FO01012C | 6969518 1032567 | FORD FIESTA (01/94-08/95), KA (08/96-) |
| | | LINK STABILIZERS |
| FO02001P | 95VW5489AC 1009591 7M0411317D | FORD GALAXY (06/95-) |
| BW02001P | 1661237 98AG3B438AB 1E0034170 6960036 | FORD FIESTA, ESCORT, FOCUS, KA, PUMA, FORD MONDEO (02/93-10/00) FRONT |
| FO02001C | 7014210 | FORD MONDEO (02/93-07/96) REAR (set) |
| FO02002C | 1054209 S193BBSK566AH | FORD MONDEO (08/96-10/00) REAR (set) |
| FO02005P | 1S713B438AC 1127646 | FORD MONDEO (11/00-) FRONT |
| FO02006P | 1S715C486AD 1127648 | FORD MONDEO (11/00-) REAR |
| FO02003C | 1061702 | FORD FOCUS (10/98-) REAR |
| | | AXIAL JOINTS |
| FO04001C | 6128255 6186194 | FORD ESCORT (08/80-08/90), FIESTA (08/83-02/89) |
| FO04001P | 6180350 | FORD ESCORT (08/90-02/99) manual steering |
| FO04002P | 6197238 | FORD ESCORT (08/90-02/99) power steering |
| FO04006C | 1659374 89FB32555BA | FORD FIESTA (03/89-08/95) |
| FO04002C | 1044014 B196FB3L519BA | FORD FIESTA (08/95-01/02) |
| FO04003C | 98AG3L519AA 3707333 | FORD FOCUS (10/98-) |
| FO04004C | 6737692 7294415 | FORD MONDEO (02/93-07/96) M16 X 1,5 - L=336 mm |
| FO04005C | 3903147 7294416 | FORD MONDEO (08/96-10/00) M16 X 1,5 - L=340 mm |
| FO04005P | 7M04228034E | FORD GALAXY (06/95-) |
| | | SUSPENSION BALL JOINTS |
| FO03001C | 89FB3395AB | FORD ESCORT (08/90-02/99), FIESTA (03/89-01/94) – with 2 screws |
| FO03002C | 94FB3395A2B 1047797 1030025 | FORD FIESTA (08/95-01/02), PUMA (03/97-), KA (08/96-) – with 3 screws (fi 17,5) |
| FO03004C | - | FORD FIESTA (05/02-) |

| | | |
|----------|---|---|
| VW03006C | 7200946 7M0407365A | FORD GALAXY (06/95-) lower |
| FO03003C | 93BB3395AC 6954470 | FORD MONDEO (02/93-10/00) |
| | | CONTROL ARMS / WISHBONES |
| FO08019C | 5021464 6154290 | Control arm FORD SCORPIO (03/85-09/98) RH |
| FO08020C | 6194370 5021465 6154289 | Control arm FORD SCORPIO (03/85-09/98) LH |
| FO08015C | 6194367 6114614 830K3B376DA | Control arm FORD SIERRA (08/82-02/93) RH |
| FO08016C | 6194369 6114615 83BB3079BA | Control arm FORD SIERRA (08/82-02/93) LH |
| FO08017C | 5021462 | Control arm FORD SIERRA (08/82-02/93) 4WD RH |
| FO08018C | 5021463 880K3B377DA 1630155 | Control arm FORD SIERRA (08/82-02/93) 4WD LH |
| FO08001C | 7351747 6770224 7102644 | Lower wishbone FORD ESCORT (08/90-02/99) RH – with ball joint |
| FO08002C | 7351748 6770225 7102645 | Lower wishbone FORD ESCORT (08/90-02/99) LH - with ball joint |
| FO08003C | 1020214 1046039 1E0034300A | Lower wishbone FORD FIESTA (08/95-01/02) manual steering RH |
| FO08004C | 1046073 1046279 1E0034350A | Lower wishbone FORD FIESTA (08/95-01/02) manual steering LH |
| FO08005C | 1020219 | Lower wishbone FORD FIESTA (08/95-01/02) power steering RH |
| FO08006C | 1021220 | Lower wishbone FORD FIESTA (08/95-01/02) power steering LH |
| FO08007C | Y125613042AH | Lower wishbone FORD FIESTA – FUSION (05/02-) RH |
| FO08008C | Y125613051AH | Lower wishbone FORD FIESTA – FUSION (05/02-) LH |
| FO08009C | 1090730 1071214 | Lower wishbone FORD FOCUS (10/98-) RH |
| FO08010C | 1090738 1073215 | Lower wishbone FORD FOCUS (10/98-) LH |
| VW08005C | 7M0407152B 95VW3078AC 1012632 | Lower wishbone FORD GALAXY (06/95-) RH |
| VW08006C | 7M0407151B 95VW3079AC 1007602 | Lower wishbone FORD GALAXY (06/95-) LH |
| FO08011C | 1030277 | Lower wishbone FORD MONDEO (02/93-10/00) RH |
| FO08012C | 1030278 | Lower wishbone FORD MONDEO (02/93-10/00) LH |
| FO08013C | 1S713042AM | Lower wishbone FORD MONDEO (11/00-) RH |
| FO08014C | 1S7713051AM | Lower wishbone FORD MONDEO (11/00-) LH |
| FO53001C | 98AG5500AG | Rear axle wishbone FORD FOCUS (10/98-) - rear |
| | | SILENT BLOCS – front axle |
| FO05013C | 1652910 5021661 6107025 81AB5K897AB 81AB5K897BB | Outer - FORD ESCORT (06/83-10/90), ORIJON – for control arm |
| FO05001C | 1000445 89FB3063AD | Front - FORD ESCORT (08/90-02/99) – for wishbone |
| FO05002C | 1035929 89FB3A262AC 91AB3A262AA | Rear - FORD ESCORT (08/90-02/99) – for wishbone |
| FO05003C | 93BB3063AA | Front - FORD MONDEO (02/93-10/00) fi 47 mm – for wishbone |
| FO05004C | 6870549 93BB3A262BA | Rear - FORD MONDEO (02/93-07/96) fi 46 mm – for wishbone |
| FO05005C | 1023058 1074282 95BG3A262AA 95BG3A262BA | Rear - FORD MONDEO (08/96-10/00) fi 60 mm – for wishbone |

| | | |
|--------------|--|--|
| FO05008C | 1010037 1055191 96FB3063AA 98FB3063AA | Front - FORD FIESTA (08/95-01/02) – for wishbone |
| FO05006C | 1014654 1063372 96FB3A262AD 98FB3A262AA | Rear - FORD FIESTA (08/95-01/02) – for wishbone |
| FO05009C | 1061570 | Front - FORD FOCUS (10/98-) – for wishbone |
| FO05010C | 1097918 98AG3A262AH | Rear - FORD FOCUS (10/98-) – for wishbone |
| FO05007C | 7M0501541 7201717 | Front - FORD GALAXY (06/95-) – for wishbone |
| FO05011C | 7M0407181 7M0407181A 95VW3A252BA 95VW5A638CA 7396830 | Rear - FORD GALAXY (06/95-) – for wishbone |
| MA05001C | GA2B34470A | Front - FORD PROBE - for wishbone |
| MA05002C | GA2A3446XA | Rear - FORD PROBE (with housing) RH – for wishbone |
| MA05003C | GA2A3446YA | Rear - FORD PROBE (with housing) LH – for wishbone |
| FO05012C | 6192705 | Inner - FORD SCORPIO (03/85-09/94) – for control arm |
| FO05014C | 1656752 88GB5493AA 88GB5493AB | Outer - FORD SIERRA (08/82-02/93) – for control arm |
| | | SILENT BLOCS – rear axle |
| FO52001C | - | FORD FOCUS (10/98-) – for rear control arm |
| FO52002C | 6745350 95AB5K653BB | FORD FIESTA (08/95-01/02) – for rear control arm |
| HONDA | | |
| | | TIE ROD ENDS |
| HO01004C | 53540SA0-003 53540679-004 535405C2-004 | HONDA ACCORD (76-90), CIVIC (76-87) |
| HO01001C | 53540SH3003 53540SH3013 | HONDA CIVIC (10/91-02/01) RH |
| HO01002C | 53560SH3003 53560SH3013 | HONDA CIVIC (10/91-02/01) LH |
| HO01003C | 53541S5A003 | HONDA CIVIC V-TEC (02/01-) |
| HO01005C | 1004.RB01-R | HONDA CR-V (08/97-04/02) RH |
| HO01006C | 1004.RB01-L | HONDA CR-V (08/97-04/02) LH |
| | | LINK STABILIZERS |
| HO02001P | 51321-S84-A01 | HONDA ACCORD (02/98-02/03) REAR RH |
| HO02002P | 51320-S84-A01 | HONDA ACCORD (02/98-02/03) REAR LH |
| HO02003P | 51320SE4003 51320-ST7-003 | HONDA CIVIC(06/95-08/01), CR-V(08/97-04/02) FRONT |
| HO02001C | 51320-S5A-003 | HONDA CIVIC V-TEC (02/01-) FRONT RH |
| HO02002C | 51321-S5A-003 | HONDA CIVIC V-TEC (02/01-) FRONT LH |
| HO02003C | 52320-S5A-014 | HONDA CIVIC V-TEC (02/01-) REAR RH |
| HO02004C | 52321-S5A-013 | HONDA CIVIC V-TEC (02/01-) REAR LH |
| HO02004P | 52320S04003 | HONDA CIVIC (06/95-08/01) REAR RH |
| HO02005P | 52321S04003 | HONDA CIVIC (06/95-08/01) REAR LH |
| HO02006P | 51320S10003 | HONDA CR-V (08/97-04/02) REAR RH |
| HO02007P | 51321S10003 | HONDA CR-V (08/97-04/02) REAR LH |
| HO02008P | 51320-S2H-003 | HONDA HR-V (03/99-) REAR RH |
| HO02009P | 51321-S2H-003 | HONDA HR-V (03/99-) REAR LH |
| HO02011P | - | HONDA HR-V (03/99-) FRONT RH |
| HO02012P | - | HONDA HR-V (03/99-) FRONT LH |
| | | AXIAL JOINTS |
| HO04001C | 53010SR3010 | HONDA CIVIC – CRX (11/91-05/95) M14 X 1,5 |
| HO04002C | 53010S04000 | HONDA CIVIC–CRX (06/95-08/01) M14 X 1,5 – L=166 mm |
| HO04003C | - | HONDA CIVIC(EURO(06/95-08/01) M14 X 1,5 - L= 160 mm |
| | | SUSPENSION BALL JOINTS |

| | | |
|----------|---|--|
| HO03001P | GSJ 1002 | HONDA CIVIC (11/91-12/00), CRX(10/87-05/92) UPPER |
| HO03002P | 51220-S04-003 | HONDA CIVIC (11/91-12/00), CRX(10/87-05/92) LOWER |
| HO03003P | GSJ 1002 | HONDA ACCORD (01/90-12/98) UPPER |
| HO03004P | 51220SM1A02 51220SM4013 RBJ100690 | HONDA ACCORD (01/90-12/98) LOWER |
| HO03005P | 51220-SD4-023 | HONDA LEGEND (04/91-) LOWER |
| | | CONTROL ARMS / WISHBONES |
| HO08001C | 51450SV4000 51450SV4A00 GSJ 424 | Upper wishbone HONDA ACCORD (01/90-12/98) RH |
| HO08002C | 51460SV4000 51460SV4A00 GSJ 423 | Upper wishbone HONDA ACCORD (01/90-12/98) LH |
| HO08003C | 51355SV4000 | Lower control arm HONDA ACCORD (01/90-12/98) RH |
| HO08004C | 51365SV4000 | Lower control arm HONDA ACCORD (01/90-12/98) LH |
| HO08021C | 51450SV4000 51450SV4A00 GSJ424 | Upper wishbone HONDA ACCORD (12/94-01/98) RH |
| HO08022C | 51460SV4000 51460SV4A00 GSJ423 | Upper wishbone HONDA ACCORD (12/94-01/98) LH |
| HO08005C | 51450S1AE01 | Upper wishbone HONDA ACCORD (02/98-02/03) RH |
| HO08006C | 51460S1AE01 | Upper wishbone HONDA ACCORD (02/98-02/03) LH |
| HO08007C | 51355S84A00 51355S1AE00 | Lower control arm HONDA ACCORD (02/98-02/03) RH |
| HO08008C | 51365S84A00 | Lower control arm HONDA ACCORD (02/98-02/03) LH |
| HO08009C | 51540-SH3-023 51540-SH3-020 | Upper wishbone HONDA CIVIC (10/87-11/91) RH |
| HO08010C | 51460SH3023 51460SH3020 51460SK7043 | Upper wishbone HONDA CIVIC (10/87-11/91) LH |
| HO08011C | 51450SR3013 51450SR3A02 GSJ 486 | Upper wishbone HONDA CIVIC (11/91-05/95) RH |
| HO08012C | 51460SR3013 51460SR3A02 51460-SRO-A02 | Upper wishbone HONDA CIVIC (11/91-05/95) LH |
| HO08013C | 51450-S04-023 51365-SM-030 51365-SM-040 | Upper wishbone HONDA CIVIC (06/95-08/01) RH |
| HO08014C | 51460-S04-023 51460-SO4-013 | Upper wishbone HONDA CIVIC (06/95-08/01) LH |
| HO08015C | 51355SH3010 51355SH3020 51355SK7010 | Lower control arm HONDA CIVIC (10/87-11/91) RH |
| HO08016C | 51365-SH3-010 51365-SH3-020 51365-SK7-010 | Lower control arm HONDA CIVIC (10/87-11/91) LH |
| HO08017C | 51460-S04-023 | Lower control arm (without wishbone) HONDA CIVIC (11/91-05/95) RH |
| HO08018C | 51360-SR3-020 | Lower control arm (without wishbone) HONDA CIVIC (11/91-05/95) LH |
| HO08019C | 51350SR3020 RBJ102230 | Lower control arm (with wishbone) HONDA CIVIC (11/91-05/95) RH |
| HO08020C | 51360SR3020 RBJ102220 GSJ 836 | Lower control arm (with wishbone) HONDA CIVIC (11/91-05/95) LH |
| | | SILENT BLOCS – front axle |
| HO05008C | 51455SR3003 | HONDA ACCORD (01/90-12/98), CIVIC (11/91-05/95) – for upper wishbone |
| HO05006C | - | Inner - HONDA ACORD (01/77-12/89) – for lower control arm |
| HO05007C | 51810SM4013 | Outer - HONDA ACORD (01/90-12/98) – for lower control arm |
| HO05003C | 51810SM4013 | Outer - HONDA ACORD (06/94-12/98) – for lower control arm |
| HO05009C | 51455-SH3-005 | HONDA CIVIC, CRX (10/87-11/91) – for upper wishbone |
| HO05001C | 51455SR3003 | HONDA CIVIC, CRX (06/95-08/01) – for upper wishbone |
| HO05002C | 51393SE0003 | Inner – HONDA CIVIC, CRX (10/87-09/91) – for lower control arm |

| | | |
|----------------|--|---|
| | 51393SH3003 | |
| HO05004C | 51392SR3014 | Inner - HONDA CIVIC, CRX (11/91-05/95) – for lower control arm FI37 X FI12 X 50 |
| HO05005C | - | Outer - HONDA CIVIC, CRX (11/91-05/95) – for lower control arm FI40 X FI12 X 50 |
| HO05010C | - | Inner – HONDA CIVIC – for lower control arm FI32 X FI10 X 52 |
| | | SILENT BLOCS – rear axle |
| HO52001C | - | Central - HONDA CIVIC-CRX (95-08/01) – for wishbone |
| HO52002C | - | Rear - HONDA CIVIC-CRX (95-08/01) – for wishbone |
| HO52101P | RGX 100980 | Rear axle mounting HONDA CIVIC (95-08/01) - fi 81 mm |
| HYUNDAI | | |
| | | TIE ROD ENDS |
| HY01001P | 5682037000 5682022000 5682037010 | HYUNDAI ACCENT (09/84-08/99), LANTRA (05/92-09/95) M14 X 1,5 |
| HY01001C | 5682025000 | HYUNDAI ACCENT (09/99-) M14 X 1,5 |
| HY01002P | 5682028520 | HYUNDAI LANTRA (01/91-04/92) M12 X 1,25 |
| HY01003P | 5682021100 | HYUNDAI PONY (10/89-01/95) |
| MI01001C | MB-166426 MB573885 5687243000 | HYUNDAI H -100 M14 X 1,5 RH - OUTER |
| MI01002C | MB288119 | HYUNDAI H -100 M14 X 1,5 LH - INNER |
| HY01003C | 568203B000 | HYUNDAI SANTA FE (01/02-) |
| | | LINK STABILIZERS |
| HY02006P | - | HYUNDAI ACCENT (09/84-08/99) – stabilizer screw with rubber (set) |
| HY02001C | 5483025020 | HYUNDAI ACCENT (09/99-) FRONT RH |
| HY02002C | 5483025010 | HYUNDAI ACCENT (09/99-) FRONT LH |
| HY02003C | 5583025000 | HYUNDAI ACCENT (09/99-) REAR |
| HY02002P | 5483029000 | HYUNDAI LANTRA (09/95-06/00), COUPE (08/96-09/01) FRONT |
| HY02003P | 5553029000 | HYUNDAI LANTRA (09/95-06/00), COUPE (08/96-09/01) REAR |
| HY02004P | 5483034000 | HYUNDAI SONATA II. (11/93-07/98) FRONT |
| HY02001P | 5558037020 | HYUNDAI SONATA II. (11/93-07/98) REAR |
| HY02005C | 5483038100 | HYUNDAI SONATA IV. (10/01-) FRONT |
| HY02006C | 5553038600 | HYUNDAI SONATA IV. (10/01-) REAR |
| HY02005P | 548304A000 | HYUNDAI H 1 (06/97-) FRONT |
| HY02004C | 555304A001 | HYUNDAI H 1 (06/97-) REAR |
| HY02007C | 5484026000 | HYUNDAI SANTA FE (01/02-) RH |
| HY02008C | 5483026000 | HYUNDAI SANTA FE (01/02-) LH |
| | | AXIAL JOINTS |
| HY04001C | 5454022000 | HYUNDAI ACCENT (09/94-08/99) L=300 mm |
| HY04002C | 5775522000 | HYUNDAI ACCENT (09/94-08/99) L=297 mm |
| HY04003C | 5777502000 5654002000 | HYUNDAI ATOS (02/98-) M14 X 1,25 L=267 mm |
| MI04001C | MB532281 MA350577 MR455425 | HYUNDAI H 100 (97-) manual steering |
| HY04004C | 5771634000 | HYUNDAI SONATA III. (03/98-10/01) L=322 mm |
| HY04005C | 5454022000 5654243001 | HYUNDAI S COUPE, PONY II. (90-97) |
| | | SUSPENSION BALL JOINTS |
| HY03001P | 5453024A00 5453028A00 | HYUNDAI PONY (10/89-01/95), LANTRA (10/90-09/95) |
| HY03002P | 5450322A00 5450331600 | HYUNDAI ACCENT (09/84-08/99), LANTRA (09/95-06/00) |
| HY03002C | 5453002050 | HYUNDAI ATOS (02/98-) |
| MI03002C | MB176308 MR296270 | HYUNDAI GALOPER (98-) LOWER |
| HY03001C | MB241623 MB527349 MB527350 | HYUNDAI H 100 (06/97-) UPPER |
| HY03003P | MB176309 MB349475 MB527383 | HYUNDAI H 100 (06/97-) LOWER (with safety fuse) |

| | | |
|----------------------------------|---------------------------------------|---|
| HY03004P | - | HYUNDAI H 100 (06/97-) LOWER (with screw) |
| HY03003C | 5450334A01 5452031600 | HYUNDAI SONATA |
| CONTROL ARMS / WISHBONES | | |
| HY08001C | 5450122100 | Lower wishbone HYUNDAI ACCENT (09/94-08/99) RH |
| HY08002C | 5450022100 | Lower wishbone HYUNDAI ACCENT (09/94-08/99) LH |
| HY08003C | 5450125000 | Lower wishbone HYUNDAI ACCENT (09/99-) RH |
| HY08004C | 5450025000 | Lower wishbone HYUNDAI ACCENT (09/99-) LH |
| HY08005C | 545001C000 | Lower wishbone HYUNDAI GETZ (09/02-) RH |
| HY08006C | 5450010000 | Lower wishbone HYUNDAI GETZ (09/02-) LH |
| HY08007C | 5450324001 | Lower wishbone HYUNDAI PONY (10/89-01/95) – without ball joint RH |
| HY08008C | 5450224001 | Lower wishbone HYUNDAI PONY (10/89-01/95) – withut ball joint LH |
| HY08009C | 545404B001 | Lower wishbone HYUNDAI H 100 – PICK UP (06/97-) RH |
| HY08010C | 545104B001 | Lower wishbone HYUNDAI H 100 – PICK UP (06/97-) LH |
| MI08001C | MB527384 MB598018 5454043152 | Lower wishbone HYUNDAI H 100 van (92-) RH |
| MI08002C | MB527383 MB598017 5451043152 | Lower wishbone HYUNDAI H 100 van (92-) LH |
| SILENT BLOCS – front axle | | |
| HY05003C | 5455622100 | Rear - HYUNDAI ACCENT (09/94-08/99) RH – for lower wishbone |
| HY05004C | 5451222100 | Rear - HYUNDAI ACCENT (09/94-08/99) LH – for lower wishbone |
| HY05005C | 5455122100 | Front - HYUNDAI ACCENT (09/94-08/99) – for lower wishbone |
| HY05008C | - | Front - HYUNDAI ACCENT (09/99-) – for lower wishbone |
| HY05009C | - | Rear - HYUNDAI ACCENT (09/99-) – for lower wishbone |
| HY05007C | - | Front - HYUNDAI GETZ (09/02-) – for lower wishbone |
| HY05006C | - | Rear - HYUNDAI GETZ (09/02-) – for lower wishbone |
| HY05002C | - | HYUNDAI H 100 (92-05/97) – for lower control arm |
| HY05001C | - | HYUNDAI H 100 (06/97-) – for lower control arm |
| OTHER | | |
| HY06001C | - | Rear stabilizer rubber HYUNDAI ATOS (02/98-) |
| IVECO | | |
| SUSPENSION BALL JOINTS | | |
| IV03001C | 93802242 93807545 | IVECO DAILY 30.8-49-12 upper + lower |
| IV03002P | - | IVECO DAILY 35 S 11 (00-) upper |
| IV03003P | - | IVECO DAILY 35 S 11 (00-) lower |
| AXIAL JOINTS | | |
| CI04003P | 9983325 | IVECO DAILY (- 00) |
| IV04001P | - | IVECO DAILY 35 S 11 (00-) |
| JEEP | | |
| TIE ROD ENDS | | |
| JE01001C | 52005739 | JEEP WRANGLER, CHEROKEE - M22 X 1,5 |
| SUSPENSION BALL JOINTS | | |
| JE03001C | 8350202 (upper+lower) | JEEP WRANGLER, CHEROKEE, GRAN CHEROKEE - lower |
| JE03002C | 8350202 SET (upper+lower) | JEEP WRANGLER, CHEROKEE, GRAN CHEROKEE - upper |
| KIA | | |
| TIE ROD ENDS | | |
| MA01004C | S08399324 | KIA BESTA (90-) |
| HY01001P | 8AB132280 KB09232280 KKY0132280 | KIA PRIDE (06/91-) |
| KI01001C | MDX5032280 | KIA RIO (00-) M12 X 1,25 |

| | | |
|---------------|------------------------------------|--|
| KI01001P | OK201-32-280 | KIA SEPHIA (09/93-10/97) |
| | | LINK STABILIZERS |
| KI02005P | GA2A34150A | KIA CLARUS (11/97-) RH |
| KI02006P | GA2A34170A | KIA CLARUS (11/97-) LH |
| KI02001C | OK72A34150A | KIA PREGIO FRONT |
| KI02001P | OK33C34150A | KIA RIO (01-) RH |
| KI02002P | OK33C34160A | KIA RIO (01-) LH |
| KI02003P | - | KIA SEPHIA (09/93-10/97), SHUMA (02/98-) RH |
| KI02004P | - | KIA SEPHIA (09/93-10/97), SHUMA (02/98-) LH |
| | | SUSPENSION BALL JOINTS |
| MA03001C | S08399364 | KIA BESTA (90-) UPPER |
| MA03002C | S08399356 | KIA BESTA (90-) LOWER |
| KI03001P | G03099356 G03034550A | KIA CLARUS (11/97-) - fi 18 mm |
| KI03001C | OK72A34510 | KIA PREGIO |
| KI03002P | OK20134550C | KIA SEPHIA (09/93-10/97) fi 16 mm |
| KI03003P | OK2A134550A | KIA SHUMA (11/97-) fi 18 mm |
| | | AXIAL JOINTS |
| MA04009C | S08332115 | KIA BESTA (90-) |
| KI04001C | OK7232270 | KIA PREGIO (97-) |
| KI04002C | MD0013224X D0013224X | KIA PRIDE (06/91-) M12 X 1,25 L=267 mm |
| KI04003C | KDX5332240 | KIA RIO (00-) M12 X 1,25 L=279 mm |
| KI04001P | OK9A232240 | KIA SEPHIA (09/93-10/97) power steering |
| KI04004C | OK2A232240 | KIA SHUMA (02/98-) M14 X 1,5 L=293 mm |
| | | CONTROL ARMS / WISHBONES |
| KI08001C | KKY0134310 KKY0134310A | Lower control arm KIA PRIDE (06/91-) |
| KI08002C | OK30B34300B | Lower control arm KIA RIO (00-) RH |
| KI08003C | OK30B34350B | Lower control arm KIA RIO (00-) LH |
| | | SILENT BLOCS – front axle |
| MA05001C | GA2B34470A | Front - KIA CLARUS (11/97-) – for wishbone |
| MA05002C | GA2A3446XA | Rear - KIA CLARUS (11/97-) RH – for wishbone |
| MA05003C | GA2A3446YA | Rear - KIA CLARUS (11/97-) LH – for wishbone |
| KI05004C | - | Inner - KIA PRIDE (06/91-) – for control arm |
| KI05005C | - | KIA RIO (00-) – for control arm |
| KI05001P | - | KIA RIO (00-) – for lower schock absorber |
| LADA | | |
| | | TIE ROD ENDS |
| LA01001C | 4193224 4343762 2101-3003057 | LADA NIVA (12/76-12/95) M16 X 1 - outer |
| LA01002C | 2121-3414116 | LADA NIVA (12/76-12/95) M6 X 1 LH – inner |
| | | SUSPENSION BALL JOINTS |
| LA03001C | 21012904192 21012904082 | LADA NIVA (12/76-12/95) UPPER + LOWER |
| LANCIA | | |
| | | TIE ROD ENDS |
| CI01002P | 1306003080 405909 | LANCIA ZETA (06/94-) |
| | | LINK STABILIZERS |
| FI02002P | 51701045 | LANCIA LYBRA (07/99-) |
| | | SUSPENSION BALL JOINTS |
| FI03001P | 4402649 4402644 SE141140104A | LANCIA Y10 (09/85-02/96) – with safety fuse |
| FI03002P | - | LANCIA Y10 (09/85-01/96) – with screw |
| | | AXIAL JOINTS |
| FI04005P | 9941625 | LANCIA DEDRA (04/89-07/99) manual steering |

| | | |
|----------------------------------|---------------------------------------|---|
| FI04007P | 9945562 | LANCIA DEDRA (04/89-07/99) power steering |
| CI04004C | 9566950880 3812A4 3520G9 | LANCIA ZETA (06/94-) |
| CONTROL ARMS / WISHBONES | | |
| FI08012C | 46522147 46764747 | Wishbone LANCIA LYBRA (07/99-) RH |
| FI08013C | 46525407 46764746 | Wishbone LANCIA LYBRA (07/99-) LH |
| SILENT BLOCS – front axle | | |
| AL05007C | 60588842 | Front - LANCIA THEMA (84-94) – for lower wishbone |
| AL05008C | 60588844 60588843 | Rear - LANCIA THEMA (84-94) – for lower wishbone |
| FI05020C | 4157013 | LANCIA Y (09/85-02/96) – for wishbone |
| LAND ROVER | | |
| TIE ROD ENDS | | |
| LR01001C | RTC5869 | LAND ROVER DEFENDER (08/90-12/00), DISCOVERY I.(11/89-09/98), RANGE ROVER (05/71-05/94) RH |
| LR01002C | NRC4745 | LAND ROVER DEFENDER (08/90-12/00), DISCOVERY I.(11/89-09/98), RANGE ROVER (05/71-05/94) LH |
| LINK STABILIZERS | | |
| LR02001C | RBM 100223 | LAND ROVER DISCOVERY (10/98-) FRONT |
| SUSPENSION BALL JOINTS | | |
| LR03001C | 572337 | LAND ROVER DEFENDER (08/90-12/00), DISCOVERY I.(11/89-09/98), RANGE ROVER (05/71-05/94) UPPER |
| LR03002C | 575882 | LAND ROVER DEFENDER (08/90-12/00), DISCOVERY I.(11/89-09/98), RANGE ROVER (05/71-05/94) LOWER |
| LR03003C | - | ROVER FREELANDER (10/97-) LOWER |
| MAZDA | | |
| TIE ROD ENDS | | |
| MA01002C | 8AB132280 KB09232280 KKY0132280 | MAZDA 121 (10/87-10/90) M12 X 1,25 |
| MA01001P MA01006C | 8AB232280 | MAZDA 323 (09/85-04/95) M12X1,25 manual steering |
| MA01002P | - | MAZDA 323 (09/85-04/95) M14X1,5 power steering |
| MA01005C | 8AH1-32-280 | MAZDA 626 (06/85-07/91) |
| MA01001C | H00189324 | MAZDA 626 (11/82-04/97) |
| MA01003C | 8AG432280 8AG332280 F02Z3A130A | MAZDA 626 (05/97-05/02) MX 6 , PREMACY (07/99-) |
| MA01004C | S08399324 | MAZDA E2000 (05/83-99) |
| LINK STABILIZATORS | | |
| MA02001P | GA2A34150A | MAZDA 323 (05/94-09/97), 626 (08/91-05/02) FRONT RH |
| MA02002P | GA2A34170A | MAZDA 323 (05/94-09/97), 626 (08/91-05/02) FRONT LH |
| MA02003P | BC1D28170A | MAZDA 323 (05/94-09/97) REAR |
| MA02004P | GA2C28170B | MAZDA 626 (08/91-04/97) REAR |
| MA02005P | M26R34170 B026R34170 | MAZDA 323 (10/97-07/00), PREMACY(07/99-) FRONT |
| MA02006P | M26R28170 | MAZDA 323 (10/97-07/00), PREMACY(07/99-) REAR |
| MA02001C | GE4T28170 GA2B28170A | MAZDA 626 (05/97-05/02) REAR |
| SUSPENSION BALL JOINTS | | |
| MA03001P | B45534550 | MAZDA 323 (11/80-04/95) fi 16 mm |
| MA03002P | B01A34550 BTA34550 | MAZDA 323 (05/95-07/00) fi 18 mm |
| KI03001P | G03099356 G03034550A | MAZDA 626 (07/85-05/02) fi 18 mm |
| MA03003C | 8AU134510 UA0199354 | MAZDA B2000 – B2200 (01/85-01/99) UPPER |
| MA03004C | 8AU134540 | MAZDA B2000 – B2200 (01/85-01/99) LOWER |

| | | |
|-----------------|---|--|
| | UA0199356 | |
| MA03001C | S08399364 | MAZDA E2000 (05/83-99), E2200 (00-) UPPER |
| MA03002C | S08399356 | MAZDA E2000 (05/83-99), E2200 (00-) LOWER |
| | | AXIAL JOINTS |
| MA04001C | B4563224X | MAZDA 323 (09/85-04/95) M12X1,25 manual steering |
| MA04002C | B4563225X | MAZDA 323 (09/85-04/95) M12X1,25 power steering |
| MA04003C | E0163225X | MAZDA 323 1.8 (05/94-07/00) M12 X 1,25 L=336mm |
| MA04004C | B21H3225X | MAZDA 323 1.5 (05/94-07/00) M12 X 1,25 |
| MA04005C | B25D32240X | MAZDA 323 (07/98-02/01) M12 X 1,25 L=306mm |
| MA04006C | GJ2232240 GJ2232250 GJ2132240 | MAZDA 626 (82-07/91) M14 X 1,5 |
| MA04007C | GA2A32250 | MAZDA 626 (08/91-04/97) M14 X 1,5 L=300mm |
| MA04008C | GE4T-32-240 | MAZDA 626 (05/97-05/02) |
| MA04009C | S08332115 | MAZDA E2000 (05/83-99) |
| | | CONTROL ARMS / WISHBONES |
| MA08001C | GA2A34300 GA6BE34300 | MAZDA 626 (07/87-05/02) RH |
| MA08002C | GA2A34350 GA2A-34-350A GA2B-34-350A | MAZDA 626 (07/87-05/02) LH |
| | | SILENT BLOCS – front axle |
| KI05004C | - | Inner - MAZDA 121 (10/87-02/96) – for control arm |
| MA05004C | BC1D34470 | Front - MAZDA 323 (05/94-07/00) – for wishbone |
| MA05001C | GA2B34470A | Front - MAZDA 626, MX6 (08/91-05/02) – for wishbone |
| MA05005C | - | Rear - MAZDA 626, MX6 (08/91-05/02) – for wishbone |
| MA05002C | GA2A3446XA | Rear (with housing) MAZDA 626, MX6 (08/91-05/02) RH – for wishbone |
| MA05003C | GA2A3446YA | Rear (with housing) MAZDA 626, MX6 (08/91-05/02) LH – for wishbone |
| MERCEDES | | |
| | | TIE ROD ENDS |
| ME01002C | 1683301235 1683301635 | MERCEDES W168 class A (07/97-09/04) RH |
| ME01003C | 1683301135 1683301535 | MERCEDES W168 class A (07/97-09/04) LH |
| ME01001P | 0003384910 0003386310 | MERCEDES W201 series 190 (83-92) M12X1,5 RH |
| ME01002P | 0003384510 0003386010 | MERCEDES W201 series 190 (83-92) M12X1,5 LH |
| ME01004C | 13307735 | MERCEDES W202 series C (03/93-05/00) |
| ME01008C | 2033302003 2033302403 | MERCEDES W203 series C (05/00-) RH |
| ME01009C | 2033301903 2033302303 | MERCEDES W203 series C (05/00-) LH |
| ME01005C | 2103380615 | MERCEDES W210 series E (05/95-03/02) RH |
| ME01006C | 2103380515 | MERCEDES W210 series E (05/95-03/02) LH |
| ME01003P | 0003381910 0003385210 0003380710 | MERCEDES W123 (01/76-12/85), W124 class E (12/84-06/95), W126 class S (10/79-06/91) M14X1,5 RH |
| ME01004P | 0003382010 0003385010 0003380810 | MERCEDES W123 (01/76-12/85), W124 class E (12/84-06/95), W126 class S (10/79-06/91) M14X1,5 LH |
| ME01001C | 6384600048 | MERCEDES VITO (02/96-) |
| ME01007C | 9014600148 2D0422811 | MERCEDES SPRINTER (01/95-03/00) |
| | | LINK STABILIZERS |
| ME02003P | 1683201089 1683200589 | MERCEDES W168 class A (07/97-09/04) |
| ME02005C | 1243200289 | MERCEDES W202 class C (03/93-05/00), W208 |
| ME02004P | 2033202489 | MERCEDES W203 class C (05/00-) |
| ME02001P | 1403201289 | MERCEDES W140 class S (02/91-08/98) RH |
| ME02002P | 1403201189 | MERCEDES W140 class S (02/91-08/98) LH |
| ME02001C | 9013200389 2D0411052 | MERCEDES SPRINTER (04/96-) RH |

| | | |
|--------------------------------|--|--|
| ME02002C | 9013200289 2D0411051 | MERCEDES SPRINTER (04/96-) LH |
| ME02005P | 6383230368 | MERCEDES VITO (02/96-01) RH |
| ME02006P | 6383230268 | MERCEDES VITO (02/96-01) LH |
| ME02007P | 6383230568 | MERCEDES VITO (01-) RH |
| ME02008P | 6383230468 | MERCEDES VITO (01-) LH |
| ME02006C | 6383260016 | MERCEDES VITO REAR |
| ME02007C | 6383260116 | MERCEDES VITO (van) REAR |
| ME02003C | 2103203789 2103202289 | MERCEDES W 210 class E (05/95-03/02) RH |
| ME02004C | 2103203689 2103202189 | MERCEDES W 210 class E (05/95-03/02) LH |
| SUSPENSION BALL JOINTS | | |
| ME03002P ME03009C | 1243330327 1243330127 | MERCEDES W124 (12/84-06/95), W129 class SL (03/98-), W201 class 190 (10/82-08/93) |
| ME03001P | 1163330927 | MERCEDES W116(08/72-07/80), W123 (01/76-12/85), W126 class S (10/79-06/91) |
| ME03001C | 2023330027 2103300035 | Zglob spodnji MERCEDES W202(C180-C280-(03/93-05/00)), W210(E200-E320(05/95-03/02) - dvojni konus |
| ME03003C | 1403330327 | MERCEDES W/C 140 (300SE-600SEC (02/91-08/98)) – lower (double conus) |
| ME03002C | 1633300035 1633300135 | MERCEDES W163 class ML (02/98-) - FRONT |
| ME03006C | 16333500113 | MERCEDES W163 class ML (02/98-) - REAR |
| ME03008C | - | MERCEDES W168 class A (07/97-09/04) |
| ME03007C | 2203330127 2113300235 | MERCEDES W211 class E (03/02-) - lower |
| ME03004C | 9013330727 2D0407361A | MERCEDES SPRINTER (04/96-) - lower |
| ME03005C | 6383300027 | MERCEDES VITO (02/96-) – lower |
| AXIAL JOINTS | | |
| ME04001C | 9014600155 9014600255 2D0422803 | MERCEDES SPRINTER (04/96-) |
| ME04002C | 6384600055 6384600255 6384600205 | MERCEDES VITO (02/96-) |
| ME04005C | 1683301335 | MERCEDES W168 A (07/97-09/04) L=196,5mm |
| ME11001C | 2024600405 | Torque rod with tie rod ends MERCEDES W202 (C180-C280 (03/93-05/00)) |
| ME04003C | 2303380015 2203380715 | MERCEDES W203 class C (05/00-) |
| ME04004C | 2103380415 | MERCEDES W210 series E (05/95-03/02) |
| ME04006C | 2303380015 2203380715 | MERCEDES W211 series E (03/02-) |
| REAR AXLE CROSS | | |
| ME54001C | 1243507606 2103501706 | MERCEDES W124, W201, W202, W208, W210 RH |
| ME54002C | 1243507706 2103501606 | MERCEDES W124, W201, W202, W208, W210 LH |
| ME54003C | 2013505606 2013504706 | MERCEDES W124, W201, W202, W208, W210 REAR - SHORT |
| ME54004C | 1243500129 2103500029 | MERCEDES W124, W201, W202, W208, W210 REAR - LONG |
| CONTROL ARM / WISHBONES | | |
| ME08001C | 1233304707 1233305307 | Upper control arm MERCED. W116 (72-07/80), W123 (01/76-12/85) RH |
| ME08002C | 1233304607 1233305207 | Upper control arm MERCED. W116 (08/72-07/80), W123 (01/76-12/85) LH |
| ME08015C | 1263300707 | Upper control arm MERCEDES W126 (10/79-06/91) RH |
| ME08016C | 1263300607 | Upper control arm MERCEDES W126 (10/79-06/91) LH |
| ME08003C | 1683300907 1683301107 | Lower wishbone MERCEDES W168 class A (07/97-09/04) RH |
| ME08004C | 1683300807 1683301207 | Lower wishbone MERCEDES W168 class A (07/97-09/04) LH |
| ME08005C | 1703300207 2023302707 2023304207 | Lower wishbone MERCEDES W202 class C (03/93-05/00) RH |
| ME08006C | 1703300107 | Lower wishbone MERCEDES W202 class C (03/93-05/00) LH |

| | | |
|-------------|--|---|
| | 2023302607 2023304107 | |
| ME08007C | 2033300211 | Front (Al.) control arm MERCEDES W 203 (05/00-) RH |
| ME08008C | 2033300111 | Front (Al.) control arm MERCEDES W 203 (05/00-) LH |
| ME08009C | 2033303411 2033302011 | Rear (Fe) control arm MERCEDES W 203 (05/00-) RH |
| ME08010C | 2033303311 2033301911 | Rear (Fe) control arm MERCEDES W 203 (05/00-) LH |
| ME08011C | 2103308707 2023304807 2083300407 | Upper wishbone MERCEDES W202 class C (03/93-05/00), W208, W210 class E (05/95-03/02) RH |
| ME08012C | 2103308807 2023304907 2083300507 | Upper wishbone MERCEDES W202 class C (03/93-05/00), W208, W210 class E (05/95-03/02) LH |
| ME08013C | 2103308707 2023304807 2083300407 | Lower wishbone MERCEDES W210 class E (05/95-03/02) RH |
| ME08014C | 2103308807 2023304907 2083300507 | Lower wishbone MERCEDES W210 class E (05/95-03/02) LH |
| | | SILENT BLOCS – front axle |
| ME05005C | 1163334014 | Half of stabilizer - MERCEDES W123 (01/76-12/85), W124 (12/84-06/95) – for upper Al. Control arm |
| ME05007C | 1163336314 | Inner (half) - MERCEDES series W116 (08/72-07/80), W123 (01/76-12/85) – for upper control arm |
| ME05008C | 1263333814 | Inner - MERCEDES series W126 (10/79-06/91) – for upper control arm (set) |
| ME05001C | 1403331714 | MERCEDES W/C 140(300SE-600SEC (02/91-08/98)) – for upper wishbone |
| ME05011C | 2203331714 | MERCEDES W220 class S (09/98-) – for lower wishbone |
| ME05019C | - | MERCEDES W202 class C (03/93-05/00) – for upper wishbone |
| ME05002C | 2023336714 | Front - MERC. W202 class C (03/93-05/00) – for lower wishbone |
| ME05003C | 2023336414 | Rear - MERC. W202 class C (03/93-05/00) – for lower wishbone |
| ME05006C | 2033330914 | MERCEDES series W203 class C (05/00-), series W209 class CLK (06/02-) – for rear Fe control arm |
| ME05012C | 2033330214 | MERCEDES series 203 class C (05/00-), series W209 class CLK (06/02-) – for front Al control arm |
| ME05004C | 2023338714 | Front / half (set) - MERCEDES W210 (E200-E320(05/95-03/02)) – for lower wishbone |
| ME05015C | 2103300475 2103300175 | Front + rear (set) - MERCEDES W210 (E200-E320(05/95-03/02)) - for lower wishbone |
| ME05013C | 2113332514 | Outer - MERCEDES W211 class E (03/02-) – for lower wishbone |
| ME05014C | 2113331114 | Inner - MERCEDES W211 class E(03/02-) – for lower wishbone |
| ME05009C | 1243523565 | MERCEDES series W124, W201 class 190, W202, W203, W208, W209, W210 fi 12 mm - for rear axle cross |
| ME05010C | 1243523465 1243500575 | MERCEDES serija W124, W201 class 190, W202, W203, W208, W209, W210 fi 13 mm – for rear axle cross |
| ME05016C | 6383330014 | Front - MERCEDES VITO series W628 (02/96-) – for wishbone |
| ME05017C | 6383330814 | Rear - MERCEDES VITO series W628 (02/96-) – for wishbone |
| | | SILENT BLOCS – rear axle |
| ME52001C | 2013520027 2203520227 2303520027 | MERCEDES series W124 (12/84-06/95), W129 (03/89-), W140 class S (02/91-08/98), W201 class 190 (10/82-08/93), W202 class C (03/93-05/00), W210 class E (05/95-03/02) |
| | | REAR AXLE MOUNTING |
| ME51001C | 1243511942 2013512742 | MERCEDES series W201 (190), W202 (C), W208 |
| ME51002C | 2013512842 | MERCEDES series W201 class 190 – large |
| | | OTHER |
| ME98001P | - | Set for rebuilding rear wishbone MERCEDES. W168 class A (07/97-09/04) |
| MINI | | |
| MN03001C | 31126753992 | Suspension ball joint MINI COOPER lower RH |
| MN03002C | 31126753991 | Suspension ball joint MINI COOPER lower LH |

| MITSUBISHI | | |
|-------------------|--|---|
| | | TIE ROD ENDS |
| MI01001C | MB192430 MB573885 MB-489434 | MITSUBISHI L300 (11/86-), GALANT (07/84-03/97), ECLIPSE (01/91-12/95) M14 X 1,5 DESNI - OUTER |
| MI01002C | MB288119 | MITSUBISHI L300 (11/86-) M14 X 1,5 LEVI - INNER |
| MI01003C | MB241171 MB315775 | MITSUBISHI PAJERO (12/82-12/91) - OUTER |
| | | LINK STABILIZERS |
| MI02001P | MR272116 | MITSUBISHI CARISMA (05/95-) FRONT |
| VO02007P | MR272117 | MITSUBISHI CARISMA (05/95-) REAR |
| MI02003P | - | MITSUBISHI COLT (02/84-06/88) OLD TYPE |
| MI02004P | MB892982 | MITSUBISHI COLT (07/88-08/95) NEW TYPE |
| MI02001C | MB584021 | MITSUBISHI PAJERO (12/82-12/91) FRONT |
| | | SUSPENSION BALL JOINTS |
| HY03002P | 30821650 30821651 MB303374 | MITSUBISHI CARISMA (05/95-), COLT (05/92-08/95), LANCER (06/88-12/95) M12X1,25 |
| HY03001C | MB109585 | MITSUBISHI L300 (11/86-) UPPER |
| HY03003P | MB176309 MB349475 MB527383 | MITSUBISHI L300 (11/86-) LOWER |
| HY03004P | - | MITSUBISHI L300 (11/86-) LOWER (with screw) |
| MI03002C | MB176308 MR296270 | MITSUBISHI PAJERO (12/82-12/91) LOWER |
| | | AXIAL JOINTS |
| MI04002C | MB297969 3345797 | MITSUBISHI CARISMA (05/95-) M12X1,25 L=310mm |
| MI04001C | MB532281 MA350577 MR455425 | MITSUBISHI L300 (11/86-), GALANT(07/84-12/92) manual steering |
| | | CONTROL ARMS / WISHBONES |
| VO08003C | MR179479 | Lower wishbone MITSUBISHI CARISMA (05/95-) RH |
| VO08004C | MR179480 | Lower wishbone MITSUBISHI CARISMA (05/95-) LH |
| MI08001C | MB527384 MB598018 5454043152 | Lower wishbone MITSUBISHI L 300 (11/86-) RH |
| MI08002C | MB527383 MB598017 5451043152 | Lower wishbone MITSUBISHI L300 (11/86-) LH |
| | | SILENT BLOCS – front axle |
| MI05001C | 30818467 | Front - MITSUBISHI CARISMA (05/95-) – for wishbone |
| HY05002C | - | MITSUBISHI L 200(78-00), L 300 (78-11/86) – for lower control arm |
| HY05001C | - | MITSUBISHI L 300 (11/86-) – for lower control arm |
| NISSAN | | |
| | | TIE ROD ENDS |
| NI01002C | 4852073J25 485209C025 485209C000 | NISSAN PRIMERA series P10 (02/90-06/96), P11 (07/96-07/02), P12 (03/02-) M12 X 1,25 |
| NI01001C | 4852050A26 4852050A25 4852050Y25 | NISSAN SUNNY |
| | | LINK STABILIZERS |
| NI02001P | 5461850Y00 54618D5010 | NISSAN ALMERA (07/95-07/00), SUNNY(06/86-05/95), PRIMERA – only 1.6 (02/90-07/02) FRONT |
| NI02002C | 5461850J20 54618-50J20 | NISSAN PRIMERA (02/90-07/02) FRONT |
| NI02003C | 5626186J25 4526190J01 | NISSAN PRIMERA (02/90-07/02) REAR |
| MI02001C | MB584021 | NISSAN TERANO I. (07/86-93) FRONT |
| | | SUSPENSION BALL JOINTS |
| NI03001C | 4016050Y00 4016060Y20 | NISSAN ALMERA (07/95-07/00), PRIMERA (07/96-07/02) |

| | | |
|----------|--|---|
| | 40160-52Y00 | |
| NI03002C | 4016050A00 4016070J00 4016050J25 | NISSAN ALMERA (08/00-), PRIMERA (02/90-06/96) |
| NI03003C | 4016001B25 | NISSAN MICRA series K10 (12/82-11/92) M10 |
| NI03004C | 401604F100 | NISSAN MICRA series K11 (08/92-11/02) M12 |
| NI03002P | 4016050A00 4016070J00 4016050J25 | NISSAN SUNNY (06/86-06/91) fi 38 mm |
| NI03007C | 40160T3060 | NISSAN PICK UP 2WD(79-85) LOWER RH |
| NI03008C | 40161T3060 | NISSAN PICK UP 2WD (79-85) LOWER LH |
| NI03010C | 40110-01G25 | NISSAN PICK UP 2WD (98-) LOWER |
| NI03011C | 4016001G50 | NISSAN PICK UP 2WD (98-) UPPER |
| NI03012C | - | NISSAN PICK UP 4WD TURBO (98-) LOWER |
| NI03009C | - | NISSAN PICK UP 2WD, 4WD (98-) LOWER |
| NI03006C | 4016092G90 | NISSAN PICK UP 4WD (85-98) LOWER |
| NI03003P | 40160-Y02G0 | NISSAN SUNNY (02/91-05/95) fi 39 mm |
| NI03005C | 4011001G26 4011001G25 40110T3060 | NISSAN TERANO I. (07/86-96), II. (96-) UPPER |
| NI03104P | 4011001G26 4011001G25 40110T3060 | NISSAN TERANO I. (07/86-96), II. (96-) UPPER |
| | | AXIAL JOINTS |
| NI04001P | 4852150Y00 4852160Y05 | NISSAN ALMERA (07/95-07/00) |
| NI04001C | 4016050A00 4016070J00 4016050J25 | NISSAN PRIMERA (07/90-07/02) M12 X 1,25 L=274mm |
| | | CONTROL ARMS / WISHBONES |
| NI08011C | 5450021B00 | Lower wishbone NISSAN MICRA series K10 (12/82-11/92) RH |
| NI08012C | 5450121B00 54501-44B00 | Lower wishbone NISSAN MICRA series K10 (12/82-11/92) LH |
| NI08013C | 545004F105 545006F600 | Lower wishbone NISSAN MICRA series K11 (08/92-11/02) RH |
| NI08014C | 545014F105 545016F600 | Lower wishbone NISSAN MICRA series K11 (08/92-11/02) LH |
| RE08021C | 8200346942 54500AX600 | Wishbone NISSAN MICRA series K12E (11/02-) RH |
| RE08022C | 8200346941 54501AX600 | Wishbone NISSAN MICRA series K12E (11/02-) LH |
| NI08005C | 545242F010 545242J001 5452450J00 | Upper wishbone NISSAN PRIMERA P10, P11 (07/90-07/02) RH |
| NI08006C | 545252F010 545252J001 5452550J00 | Upper wishbone NISSAN PRIMERA P10, P11 (07/90-07/02) LH |
| NI08007C | 5450086J00 54500-50J25 | Lower wishbone NISSAN PRIMERA series P10 (07/90-03/98) RH |
| NI08008C | 5450186J00 54501-50J10 54501-50J25 | Lower wishbone NISSAN PRIMERA series P10 (07/90-03/98) LH |
| NI08009C | 545002F500 | Lower wishbone NISSAN PRIMERA series P11 (07/96-07/02) RH |
| NI08010C | 545012F500 | Lower wishbone NISSAN PRIMERA series P11 (07/96-07/02) LH |
| NI08001C | 5450052Y10 54500-52Y15 54500-69Y10 | Lower wishbone NISSAN SUNNY (02/91-05/95) RH |
| NI08002C | 5450152Y10 54501-52Y15 54501-52Y60 | Lower wishbone NISSAN SUNNY (02/91-05/95) LH |
| NI08003C | 545000M010 545000M020 545000M060 | Lower wishbone NISSAN ALMERA (07/95-07/00), SUNNY (06/95-) RH |
| NI08004C | 545010M010 545010M060 545010M020 | Lower wishbone NISSAN ALMERA (07/95-07/00), SUNNY (06/95-) LH |
| NI08015C | 545004M410 | Lower wishbone NISSAN ALMERA series N16 (08/00-) RH |
| NI08016C | 545014M410 | Lower wishbone NISSAN ALMERA series N16 (08/00-) LH |
| | | SILENT BLOCS – front axle |

| | | |
|-------------------------|----------------------------------|--|
| NI05012C | 54560-BM410 | Front - NISSAN ALMERA N16 (08/00-) – for wishbone |
| NI05008C | 5456017B01 | Front - NISSAN MICRA series K10 (12/82-11/92) – for wishbone |
| NI05009C | 5447601800 | Rear - NISSAN MICRA series K10 (12/82-11/92) – for wishbone |
| NI05010C | - | Front - NISSAN MICRA series K11 (08/92-11/02) – for wishbone |
| NI05011C | 5447941B02 | Rear - NISSAN MICRA series K11 (08/92-11/02) – for wishbone |
| RE05015C | | Front – NISSAN MICRA series K12E (11/02-) – for wishbone |
| RE05014C | | Rear – NISSAN MICRA series K12E (11/02-) – for wishbone |
| NI05013C | 5459001E00 | Front - NISSAN PRIMERA P10, P11, (02/90-07/02) – for wishbone |
| NI05005C | 5457050J00 | Rear - NISSAN PRIMERA P10 (07/90-03/98) – for wishbone |
| NI05006C | - | Rear - NISSAN PRIMERA P11 (07/96-07/02) RH – for wishbone |
| NI05007C | - | Rear - NISSAN PRIMERA P11 (07/96-07/02) LH – for wishbone |
| NI05001C | 54560-50A00 | Front - NISSAN SUNNY (06/86-06/91) – for wishbone |
| NI05002C | 54570-50A10 | Rear - NISSAN SUNNY (06/86-06/91) – for wishbone |
| NI05003C | - | Front - NISSAN SUNNY (02/91-05/95) – for wishbone |
| NI05004C | - | Rear - NISSAN SUNNY (02/91-05/95) – for wishbone |
| NI05014C | - | Rear - NISSAN ALMERA N15 (95-00), SUNNY (95-) – for wishbone |
| NI05015C | 545608H300 | Front - NISSAN X TRAIL T30 (07/01-) – for wishbone |
| OPEL | | |
| TIE ROD ENDS | | |
| DW01001C | 26001806 324038 0324038 | OPEL KADETT series E (09/84-07/91) RH |
| DW01002C | 26001807 324039 90140007 | OPEL KADETT series E (09/84-07/91) LH |
| OP01003C | 324056 90373520 | OPEL ASTRA (09/91-12/02), VECTRA (08/88-07/95), CALIBRA (03/90-07/97) RH |
| OP01004C | 324055 324053 90373519 | OPEL ASTRA (09/91-12/02), VECTRA (08/88-07/95), CALIBRA (03/90-07/97) LH |
| OP01010C | 1603215 1603214 | OPEL ASTRA G (02/98-), ZAFIRA (06/98-) |
| OP01011C | 324066 0324066 | OPEL CORSA A (09/82-03/93), CORSA B (04/94-10/00), TIGRA (10/94-05/97) |
| OP01001C | 324050 324042 7840452 | OPEL CORSA C (11/00-) |
| OP01002C | 920373 8944194080 94419408 | OPEL FRONTERA A (03/92-08/98) - INNER |
| OP01005C | 920374 8944194090 | OPEL FRONTERA A (03/92-08/98) - OUTER |
| OP01006C | 324060 322180 | OPEL OMEGA B (03/94-) M14X1,5L RH (OUTER) |
| OP01007C | 324059 0322179 90473811 | OPEL OMEGA B (03/94-) M14X1,5D LH (OUTER) |
| OP01008C | 324062 322178 | OPEL OMEGA B (03/94-) M14X1,5L RH (INNER) |
| OP01009C | 324061 0322177 90510651 | OPEL OMEGA B (03/94-) M14X1,5L LH (INNER) |
| OP01003P | 324063 0324063 | OPEL VECTRA B (09/95-12/03) |
| LINK STABILIZERS | | |
| OP02001C | 350261 90278577 | OPEL ASTRA (09/91-93) FI 18 MM |
| OP02002C | 350260 90278579 90278586 | OPEL ASTRA (09/91-93) FI 22 MM |
| OP02003C | 350263 90495045 | OPEL ASTRA (93-12/02), VECTRA (08/88-07/95), CALIBRA (03/90-07/97) |
| OP02008P | | OPEL VECTRA C (04/02-) – 2.2. DCI |
| OP02002P | 350611 90498745 | OPEL ASTRA G (02/98-), ZAFIRA (06/98-) |
| OP02004C | 350611 | OPEL ASTRA G (02/98-), ZAFIRA (06/98-) PVC |

| | | |
|----------|--------------------------------------|---|
| | 90498745 | |
| OP02003P | 350610 90496116 | OPEL CORSA C (11/00-), MERIVA (05/03-), VECTRA B (09/95- 12/03) |
| OP02004P | 350600 350609 90445137 | OPEL OMEGA A (09/86-03/94), OMEGA B (03/94-), SENATOR B (07/86-06/94) |
| | | SUSPENSION BALL JOINTS |
| OP03001C | 1603121 1603163 90141398 | OPEL ASTRA (09/91-12/02), VECTRA (08/88-07/95), CALIBRA (03/90-07/97) |
| OP03006C | 1603161 1603128 1603187 | OPEL CORSA A (09/82-05/97) |
| OP03002C | 1603202 90539896 | OPEL CORSA B (05/97-10/00) |
| OP03003C | 352803 | OPEL CORSA C (11/00-) |
| DW03001C | 90375505 94788122 1603120 | OPEL KADET series E (09/84-07/91) |
| OP03001P | 352830 352829 352800 | OPEL ASTRA G (02/98-), OMEGA B (03/94-), VECTRA B (09/95-12/03), ZAFIRA (06/98-) |
| OP03007C | 8-94459-453-3 894472255 310828 | OPEL FRONTERA A (03/92-08/98), B (09/98-) UPPER |
| OP03008C | 352828 8944594651 | OPEL FRONTERA A (03/92-08/98) LOWER |
| OP03009C | 894459463 | OPEL FRONTERA B (09/98-) LOWER |
| OP03004C | 7700312851 4501261 9161561 | OPEL MOVANO (07/98-) UPPER |
| OP03005C | 4500255 4500255 9160555 | OPEL MOVANO (07/98-) LOWER |
| OP03004P | - | OPEL VIVARO (04/01-) |
| | | AXIAL JOINTS |
| OP04007C | 1603216 1603213 | OPEL ASTRA G (02/98-), ZAFIRA (06/98-) |
| OP04005C | 322149 322078 0322149 | OPEL CORSA A (09/82-03/93) manual steering |
| OP04002C | 322155 26030411 | OPEL CORSA B (04/94-05/97) manual steering |
| OP04003C | 322158 | OPEL CORSA B (05/97-10/00) power steering |
| OP04006C | 1603008 | OPEL CORSA C (11/00-) M12 X 1,5 L=312mm |
| OP04001C | 7701470362 | OPEL MOVANO (07/98-) |
| OP04004C | 324186 1603198 | OPEL VECTRA B (09/95-12/03) |
| | | CONTROL ARMS / WISHBONES |
| OP08001C | 352192 352076 352127 | Lower wishbone OPEL ASTRA (09/91-12/02), VECTRA (08/88-07/95), CALIBRA (03/90-07/97) RH – with ball joint |
| OP08002C | 352193 352077 352128 | Lower wishbone OPEL ASTRA (09/91-12/02), VECTRA (08/88-07/95), CALIBRA (03/90-07/97) LH – with ball joint |
| OP08007C | 352044 | Lower wishbone OPEL CORSA A (04/94-05/97) RH |
| OP08008C | 352043 | Lower wishbone OPEL CORSA A (04/94-05/97) LH |
| OP08009C | 5352012 | Lower wishbone OPEL CORSA B (05/97-10/00) RH |
| OP08010C | 5352011 | Lower wishbone OPEL CORSA B (05/97-10/00) LH |
| OP08011C | 352042 | Lower wishbone OPEL CORSA C (11/00-) RH |
| OP08012C | 352041 | Lower wishbone OPEL CORSA C (11/00-) LH |
| OP08003C | 352004 90496040 352030 | Lower wishbone OPEL VECTRA series B (09/95-12/03) RH - with ball joint |
| OP08004C | 352005 90496039 5352005 | Lower wishbone OPEL VECTRA series B (09/95-12/03) LH – with ball joint |
| OP08005C | 352028 | Lower wishbone OPEL OMEGA series B (03/94-) RH - with ball joint |
| OP08006C | 352029 | Lower wishbone OPEL OMEGA series B (03/94-) LH – with ball joint |

| | | |
|----------------|---|---|
| | | SILENT BLOCS – front axle |
| OP05008C | 352310 | Rear - OPEL CORSA C (11/00-) – for wishbone |
| OP05009C | 352309 | Front (with housing) OPEL CORSA C (11/00-) – for wishbone |
| OP05003C | 352300 352346 90288232 90373778 | Front - OPEL ASTRA (09/91-12/02), VECTRA (08/88-07/95), CALIBRA (03/90-07/97) – for wishbone |
| OP05004C | 352347 352348 90268463 90288082 | Rear - OPEL ASTRA (09/91-12/02), VECTRA (08/88-07/95), CALIBRA (03/90-07/97) – for wishbone |
| OP05005C | 352365 | Rear - OPEL ASTRA G (02/98-), ZAFIRA (06/98-), VECTRA B (09/95-12/03) – for wishbone |
| DW05003C | 352364 | Front - OPEL ASTRA F (09/91-12/02), VECTRA A (08/88-07/95), CALIBRA (03/90-07/97), KADETT series E (09/84-07/91) – for wishbone |
| DW05004C | 352335 352358 90235040 | Rear - OPEL KADETT series E (09/84-07/91) – for wishbone |
| OP05010C | 82000024454 | OPEL MOVANO (07/98-) – for upper wishbone |
| OP05006C | 7700302122 | Front – for lower wishbone OPEL MOVANO (07/98-) |
| OP05007C | 7700302123 | Rear - OPEL MOVANO (07/98-) – for lower wishbone |
| OP05001C | 352303 352457 90299207 90445571 9156605 | Front - OPEL OMEGA series B (03/94-) – for wishbone |
| OP05002C | 352302 352458 90445565 90576775 | Rear - OPEL OMEGA series B (03/94-) – for wishbone |
| | | SILENT BLOCS – rear axle |
| OP52001C | 423121 90496700 | OPEL VECTRA B (09/95-12/03) |
| OP52005C | 5402634 | OPEL ASTRA G (02/98-), ZAFIRA (06/98-) |
| OP52006C | 0402645 | OPEL KADETT E (09/84-07/91) |
| OP52002C | 5402630 | OPEL VECTRA B fi 14 x fi 67 - L=60 mm |
| OP52003C | 0423302 9191309 | OPEL VECTRA B fi 14 x fi 64 - L=60 mm |
| OP52004C | 5402631 | OPEL VECTRA B fi 12 x fi 60 - L=55 mm |
| OP52008C | 423316 | OPEL VECTRA B fi12 x fi35 x 89 |
| | | OTHER |
| DW98001C | 353460 | Tube for rear silent bloc OPEL ASTRA F, VECTRA A |
| PEUGEOT | | |
| | | TIE ROD ENDS |
| CI01005C | 381718 381750 9471000965 | PEUGEOT 205, 305, 306, 309, PARTNER |
| CI01002P | 1306003080 405909 | PEUGEOT 806 (06/94-08/02), EXPERT (10/95-) |
| CI01003C | 1306716080 1471655080 4018A3 | PEUGEOT BOXER (04/94-) |
| CI01007C | - | PEUGEOT J5 (07/81-03/94) M16 X 1,5 |
| CI01004C | 4018E0 | PEUGEOT BOXER (04/02-) |
| CI01001C | 381731 381742 9471000665 | PEUGEOT 106 (09/91-), 206 (09/98-) RH |
| CI01002C | 381730 381741 9471000565 | PEUGEOT 106 (09/91-), 206 (09/98-) LH |
| PE01003C | 381727 381722 381749 | PEUGEOT 305 (08/84-07/90), 405 (09/87-12/97) RH |
| PE01006C | 381726 381721 | PEUGEOT 305 (08/84-07/90), 405 (09/87-12/97) LH |

| | | |
|----------|------------------------------------|---|
| PE01004C | 381739 | PEUGEOT 406 (10/95-) RH |
| PE01005C | 381740 | PEUGEOT 406 (10/95-) LH |
| PE01001C | 381744 | PEUGEOT 607 (01/00-) RH |
| PE01002C | 381743 | PEUGEOT 607 (01/00-) LH |
| | | LINK STABILIZERS |
| CI02001C | 1300716080 508737 | PEUGEOT BOXER (04/94-) – set with rubber |
| CI02002C | 1308664080 1317425080 508735 | PEUGEOT EXPERT (10/95-) - set with rubber |
| CI02005P | 508745 96288787 | PEUGEOT 206 (09/98-) |
| CI02001P | 508746 508734 508739 | PEUGEOT 306 (02/93-), PARTNER (07/96-12/02) |
| CI02003C | 96152213 508742 | PEUGEOT 306 (02/93-), PARTNER(07/96-12/02) PVC |
| PE02001P | 5087.50 96347856 | PEUGEOT 307 (05/01-) |
| PE02002P | 508740 93802209 96177836 | PEUGEOT 406 (10/95-10/99) FRONT |
| CI02006P | 508748 508743 96324274 | PEUGEOT 406 (11/99-), 607 (01/00-) FRONT |
| PE02006P | 517838 9615230080 | PEUGEOT 406 (11/99-) REAR |
| CI02004P | 508730 508741 96080894 | PEUGEOT 605 (06/89-11/99) FRONT |
| PE02004P | 517821 | PEUGEOT 605 (06/89-11/99) REAR RH |
| PE02005P | 517822 | PEUGEOT 605 (06/89-11/99) REAR LH |
| PE02001C | 508748 508743 96324274 | PEUGEOT 607 (01/00-) FRONT |
| | | SUSPENSION BALL JOINTS |
| CI03002P | 96093233 364036 | PEUGEOT 106 (09/91-) fi 16 mm |
| CI03003P | 95494204 96041652 90641652 | PEUGEOT 305 (08/82-07/90), 405 (09/87-12/97) |
| PE03001P | 5087.50 96347856 | PEUGEOT 307 (05/01-) |
| PE03001C | 364030 364037 | PEUGEOT 306 (02/93-97) fi 16mm |
| PE03002C | 364048 | PEUGEOT 306 (97-) fi 18mm |
| PE03002P | 364015 364025 | PEUGEOT 504, 505, 604, (09/68-07/87) |
| CI03001C | 95028039 364028 364034 | PEUGEOT 406 (10/95-), 605 (06/89-11/99) |
| CI03008P | 4388159 3640.18 3640.29 | PEUGEOT J5 (07/81-09/85) M14 X 1,5 |
| CI03009P | 7567284 364026 | PEUGEOT J5 (10/85-03/94) M16 X 1,5 |
| CI03003C | 1302368080 4018H4 | PEUGEOT BOXER 1.0 T– 1.4T (04/94-04/02) M16 X 1,5 |
| CI03004C | 1300473080 364033 | PEUGEOT BOXER 1.8T (04/94-04/02) M18 X 1,5 |
| CI03005C | 1331640080 364055 | PEUGEOT BOXER 1.0 T– 1.4T (04/02-) M16 X 1,5 |
| CI03006C | 1331641080 364054 | PEUGEOT BOXER 1.8T (04/02-) M18 X 1,5 |
| CI03007C | 364051 96087507 | PEUGEOT PARTNER (09/98-) fi 18 mm |
| | | AXIAL JOINTS |
| PE04008C | 96136394 381295 | PEUGEOT 205 manual steering L= 314 mm |

| | | |
|----------|------------------------------------|--|
| PE04001C | 3812C5 | PEUGEOT 206 (09/98-) |
| PE04002C | 381297 3812.54 3812.52 | PEUGEOT 305 (08/82-07/90) |
| CI04003C | 381292 | PEUGEOT 306 (02/93-) L = 355 mm |
| PE04003C | 3812E0 | PEUGEOT 307 (05/01-) |
| PE04004C | 381298 381277 381273 | PEUGEOT 405 (09/87-12/97) |
| PE04005C | 3812A9 | PEUGEOT 406 (10/95-99) |
| PE04006C | 3812C4 | PEUGEOT 406 (99-) |
| CI04001C | 96032460 381299 | PEUGEOT 605 (06/89-11/99) |
| PE04007C | 3812.C7 | PEUGEOT 607 (01/00-) |
| CI04004C | 9566950880 3812A4 3520G9 | PEUGEOT 806 (06/94-08/02), EXPERT (10/95-) |
| CI04002P | 9750001180 9750390080 | PEUGEOT J5 (10/85-03/94) manual steering (inner coil) |
| CI04006C | 9945836 400624 | PEUGEOT BOXER (04/94-), (04/02-) power steering |
| | | REAR AXLE TIE ROD ENDS |
| PE50001C | 517839 96287831 | PEUGEOT 406 (10/95-) |
| | | CONTROL ARMS / WISHBONES |
| CI08009C | 352079 95658979 | Lower wishbone PEUGEOT 106 (91-) RH |
| CI08010C | 352078 95658978 | Lower wishbone PEUGEOT 106 (91-) LH |
| CI08011C | 352081 352093 | Lower wishbone PEUGEOT 106 GTI (91-) RH |
| CI08012C | 352080 352092 | Lower wishbone PEUGEOT 106 GTI (91-) LH |
| PE08007C | 3520.C8 3521.E7 | Lower wishbone PEUGEOT 206 (09/98-) RH |
| PE08008C | 3521.G8 3520.H7 | Lower wishbone PEUGEOT 206 (09/98-) LH |
| CI08003C | 3521G4 95685513 | Lower wishbone PEUGEOT 306 (02/93-) RH – without ball joint |
| CI08004C | 3520C4 95685512 | Lower wishbone PEUGEOT 306 (02/93-) LH – without ball joint |
| PE08005C | 3521G8 | Lower wishbone PEUGEOT 307 (05/01-) RH |
| PE08006C | 3521K8 | Lower wishbone PEUGEOT 307 (05/01-) LH |
| PE08001C | 352177 352176 | Lower wishbone PEUGEOT 405 (93-12/97) RH |
| PE08002C | 3520A7 352047 | Lower wishbone PEUGEOT 405 (93-12/97) LH |
| PE08003C | 352180 | Lower wishbone PEUGEOT 406 (10/95-) RH |
| PE08004C | 3520C0 | Lower wishbone PEUGEOT 406 (10/95-) LH |
| CI08005C | 1308760080 1317239080 352166 | Lower wishbone PEUGEOT BOXER 1.8T MAXI (04/94-04/02) RH |
| CI08006C | 1308759080 1317238080 352096 | Lower wishbone PEUGEOT BOXER 1.8T MAXI (04/94-04/02) LH |
| | | SILENT BLOCS – front axle |
| CI05007C | 352350 | Front - PEUGEOT 106 (09/91-) – for wishbone |
| CI05008C | 352351 | Rear - PEUGEOT 106 (09/91-) – for wishbone |
| CI05006C | 352329 | Outer (half) - PEUGEOT 205 (08/83-09/98) – for control arm |
| CI05012C | 352320 | Inner - PEUGEOT 205 (08/83-09/98) – for control arm |
| PE05001C | 352376 | Front - PEUGEOT 206 (09/98-) – for wishbone |
| PE05013C | 352377 352392 | Rear - PEUGEOT 206 (09/98-) – for wishbone |
| CI05107P | 4331968 | With tube - PEUGEOT J5 (81-03/94) - for wishbone |
| CI05001C | 1300507080 | Front (without tube) - PEUGEOT BOXER (04/94-) – for front wishbone |
| CI05005C | - | Front (with tube) - PEUGEOT BOXER (04/94-) – for front wishbone |
| CI05002C | 130869480 | Rear - PEUGEOT BOXER (04/94-) – for front wishbone |

| | | |
|---------------------------|--|--|
| CI05003C | 96110483 352375 | Front (half) - PEUGEOT 306 (02/93-) – for front wishbone |
| CI05004C | 352359 352362 | Rear - PEUGEOT 306 (02/93-) – for front wishbone |
| PE05002C | 352331 | Inner - PEUGEOT 309 (10/85-12/93) – for control arm |
| CI05009C | 1312317080 | Front - PEUGEOT EXPERT (10/95-), 806 – for wishbone |
| CI05010C | 1305552080 | Rear - PEUGEOT EXPERT (10/95-), 806 RH – for wishbone |
| CI05011C | 1305551080 | Rear - PEUGEOT EXPERT (10/95-), 806 LH – for wishbone |
| PE05004C | 352340 | Front /small PEUGEOT 405 (09/87-12/97) – for lower wishbone |
| PE05003C | 352354 | Rear /big PEUGEOT 405 (09/87-12/97) – Ffor lower wishbone |
| PE05107P | - | Front – PEUGEOT 605 (06/89-11/99) – for wishbone |
| PE05108P | - | Rear – PEUGEOT 605 (06/89-11/99) – for wishbone |
| REAR AXLE MOUNTING | | |
| CI51002P | - | PEUG. 306 (02/93-) RH FRONT |
| CI51003P | - | PEUG. 306 (02/93-) LH FRONT |
| CI51001C | 513171 | PEUGEOT 306 (02/93-) REAR |
| PONTIAC | | |
| PO04001P | - | Axial joints PONTIAC TRANS – AM (90-) |
| RENAULT | | |
| TIE ROD ENDS | | |
| RE01001P | 7701460955 | RENAULT 4, 5, 6, (06/68-12/92) |
| RE01002P | 7701464151 | RENAULT 5, 9, 11, 18 (09/81-12/96) |
| RE01020C | 7701461141 | |
| RE01003P | 7701461770 | RENAULT TRAFIC (03/80-05/01) |
| RE01017C | 7701462427 | RENAULT MASTER I. (08/80-09/97) |
| RE01001C | 7701470364 4501263 9161563 | RENAULT MASTER II. (10/97-) RH |
| RE01002C | 7701470363 4501262 9161562 | RENAULT MASTER II. (10/97-) LH |
| RE01003C | 6000030047 | RENAULT 19 (01/88-11/96) RH |
| RE01004C | 6000030048 | RENAULT 19 (01/88-11/96) LH |
| RE01005C | 6000022736 | RENAULT LAGUNA I. (01/94-12/00) RH |
| RE01006C | 6000022737 | RENAULT LAGUNA I. (01/94-12/00) LH |
| RE01007C | 7701049283 4852000QAL 4408511 | RENAULT LAGUNA II. (10/00-), TRAFIC(03/01-) RH |
| RE01008C | 7701049282 4852000QAK 4408510 | RENAULT LAGUNA II. (10/00-), TRAFIC (03/01-) LH |
| RE01009C | 6000022720 7701471127 | RENAULT CLIO I.(93-09/98) power steering, MEGANE (10/95-99), KANGOO (10/97-99) RH |
| RE01010C | 6000022721 7701471126 | RENAULT CLIO I.(93-09/98) power steering, MEGANE (10/95-99), KANGOO (10/97-99) LH |
| RE01018C | 7701474796 | RENAULT MEGANE II. (09/02-) RH |
| RE01019C | 7701474795 | RENAULT MEGANE II. (09/02-) LH |
| RE01011C | 7701471146 | RENAULT CLIO II. (10/98-12/99), KANGOO (98-99) RH |
| RE01012C | 7701471145 | RENAULT CLIO II. (10/98-12/99), KANGOO (98-99) LH |
| RE01013C | 7701047416 7701475843 | RENAULT CLIO II.(01/00-), MEGANE I. (99-08/02), KANGOO (99-), MEGANE SCENIC (03/99-), SCENIC (09/99-09/03), TWINGO (02-), MODUS (04-) RH |
| RE01014C | 7701047415 7701047812 7701474641 7701475845 | RENAULT CLIO II.(01/00-),MEGANE I. (99-8/02), KANGOO (99-), MEGANE SCENIC (03/99-), SCENIC (09/99-09/03), TWINGO (02-), MODUS (04-) LH |
| RE01015C | 6000022731 | RENAULT TWINGO (03/93-) RH |
| RE01016C | 6000022730 | RENAULT TWINGO (03/93-) LH |
| LINK STABILIZERS | | |
| RE02001C | 7700799404 | Stabilizator screw with rubber (set) RENAULT CLIO, KANGOO |

| | | |
|----------------------|----------------------------------|--|
| RE02001P | 7700805494 | RENAULT LAGUNA I. (01/94-12/00), SAFRANE (01/92-12/00) |
| RE02002P | 8200002870 | RENAULT LAGUNA II. (10/00-) |
| RE02006P | 8200166159 | RENAULT MEGANE II. (09/02-) |
| RE02003P | 7700437136 | RENAULT SCENIC 4X4 (09/99-09/03), KANGOO 4X4 |
| RE02004P | 8200050191 | RENAULT TWINGO (00-) RH |
| RE02005P | 8200040618 | RENAULT TWINGO (00-) LH |
| RE02002C | 7700309071 4500199 9160499 | RENAULT MASTER II. (10/97-) RH |
| RE02003C | 7700309070 4500198 9160498 | RENAULT MASTER II. (10/97-) LH |
| RE02005C | 8200127308 | Končnik stabilizatorja RENAULT MODUS (04-) |
| | | SUSPENSION BALL JOINT |
| RE03001P | 7701451904 | RENAULT 4, 5, 6, (06/68-12/92) UPPER |
| RE03002P | 7701450637 7701463687 | RENAULT 4, 5, 6, (06/68-12/92) LOWER RH |
| RE03003P | 7701450635 7701463686 | RENAULT 4, 5, 6, (06/68-12/92) LOWER LH |
| RE03004P | 7701462182 7701468883 | RENAULT 5, 9, 11, CLIO, MEGANE, TWINGO (screw M10) |
| RE03005P | 7701468411 7701472038 | RENAULT MEGANE, SCENIC, KANGOO ABS (screw M10) |
| RE03006P | 7702127160 | RENAULT MEGANE, SCENIC (98-), CLIO (00-) (screw M12) |
| RE03006C | - | RENAULT MEGANE II. (09/02-) FI 16mm |
| RE03005C | - | RENAULT MEGANE II. (09/02-), SCENIC (09/03-), MODUS (04-) FI 18mm |
| RE03007P | 7700829322 | REN. LAGUNA I. (01/94-12/00), SAFRANE (01/92-12/00) |
| RE03008P RE03007C | - | RENAULT LAGUNA II. (10/00-), TRAFIC (06/01-) |
| RE03009P | - | RENAULT SCENIC 4X4 (09/99-09/03), KANGOO 4X4 |
| RE03002C | 5000367654 | RENAULT MASTER I. (08/80-09/97) - upper |
| RE03003C | 5000387653 | RENAULT MASTER I. (08/80-09/97) - lower |
| RE03004C | - | RENAULT MASTER I. (08/80-09/97) - long |
| OP03004C | 7700312851 4501261 9161561 | RENAULT MASTER II. (10/97-) UPPER |
| OP03005C | 4500255 9160555 | RENAULT MASTER II. (10/97-) LOWER |
| RE03001C | 7701461667 | RENAULT TRAFIC I. OLD TYPE – lower |
| | | AXIAL JOINTS |
| RE04001P | 7700656318 | RENAULT 4, 5, 6, (06/68-12/92) |
| RE04002P RE04018C | 7701463346 | RENAULT 5 (08/84-12/96) |
| RE04002C | 7700656723 | RENAULT 9, 11 (09/81-12/89) |
| RE04003C | 7701465159 | RENAULT 19 (01/88-11/96) |
| RE04005P | 7701464015 | RENAULT 21 (03/86-09/95) |
| RE04016C | 6000022800 | RENAULT CLIO I. (01/91-93) manual steering |
| RE04007P | 7701469777 7701469778 | RENAULT CLIO I. (94-98) power steering |
| RE04013C | 7701471125 | RENAULT CLIO II.(02/98-00) power steering SMI L=299mm |
| RE04014C | 7701471144 | RENAULT CLIO II.(02/98-00) power steering TRW |
| RE04015C | 7701472120 | RENAULT CLIO II.(02/98-00), KANGOO(10/97-02/99) power steering SMI L=268mm |
| RE04004C | 7701472113 | RENAULT CLIO II.(02/98-00), KANGOO (10/97-02/99)manual steering TRW L=304mm |
| RE04005C | 7701470764 | RENAULT KANGOO (10/97-02/99) power steering L=268mm |
| RE04006C | 7701472120 | RENAULT KANGOO (03/99-), CLIO (00-), MEGANE (99-08/02) power steering |
| RE04017C | 7701472113 | RENAULT KANGOO (03/99-), CLIO (00-), MEGANE (99-08/02) manual steering |
| RE04009P | - | RENAULT MEGANE, SCENIC (95-99) TRW steering |
| RE04010P | - | RENAULT MEGANE, SCENIC (95-99) SMI steering |
| RE04011P | - | RENAULT MEGANE (99-08/02) SMI steering |

| | | |
|----------------------------------|--------------------------|--|
| RE04012C | 7701471844 | RENAULT MEGANE (99-08/02) SMI steering L=292 mm |
| RE04007C | 7701474448 | RENAULT MEGANE II. (09/02-) |
| RE04008C | 7701469665 | RENAULT LAGUNA I. (01/94-12/00) |
| RE04009C | 7701472766 | RENAULT LAGUNA II. (10/00-) |
| RE04014P | 7701472766 | RENAULT LAGUNA II. (10/00-) |
| RE04015P | - | RENAULT MASTER I. (81-09/97) |
| RE04010C | 7701469517 | RENAULT TWINGO (93-98) |
| RE04018P | - | RENAULT TWINGO (98-) |
| RE04011C | 7701462987 | RENAULT TRAFIC (03/80-05/01) L=298 mm |
| RE04016P | 7701464313 | |
| OP04001C | 7701470362 | RENAULT MASTER II. (10/97-) |
| CONTROL ARMS / WISHBONES | | |
| RE08003C | 7700783450 7700695673 | Lower wishbone RENAULT 9,11 (09/81-12/89) RH (with ball joint) |
| RE08004C | 7700783449 7700695674 | Lower wishbone RENAULT 9, 11 (09/81-12/89) LH (with ball joint) |
| RE08005C | 7700831369 7700818052 | Lower wishbone RENAULT 19 (01/88-11/96), MEGANE (10/95-08/02) RH (with ball joint) |
| RE08006C | 7700831368 7700818051 | Lower wishbone RENAULT 19 (01/88-11/96), MEGANE (10/95-08/02) LH (with ball joint) |
| RE08007C | 7701462182 | Lower wishbone RENAULT 21 (03/86-09/95) RH (with ball joint) |
| RE08008C | 7701462182 | Lower wishbone RENAULT 21 (03/86-09/95) LH (with ball joint) |
| RE08001C | 7700794387 | Lower wishbone RENAULT CLIO I. (01/91-09/98) RH (with ball joint) |
| RE08002C | 7700794386 | Lower wishbone RENAULT CLIO I. (01/91-09/98) LH (with ball joint) |
| RE08009C | 7700425228 | Lower wishbone RENAULT CLIO II. (02/98-), KANGOO (10/97-99) RH (with ball joint) |
| RE08010C | 7700425227 | Lower wishbone RENAULT CLIO II. (02/98-), KANGOO (10/97-99) LH (with ball joint) |
| RE08019C | 8200255761 | Lower wishbone RENAULT MEGANE II. (09/02-) FI16mm RH |
| RE08020C | 8200255760 | Lower wishbone RENAULT MEGANE II. (09/02-) FI 16mm LH |
| RE08011C | 8200298455 | Lower wishbone RENAULT MEGANE II. (09/02-) FI 18mm RH |
| RE08012C | 8200298454 | Lower wishbone RENAULT MEGANE II. (09/02-) FI 18mm LH |
| RE08013C | 7700823098 | Lower wishbone RENAULT LAGUNA I. (01/94-12/00) RH |
| RE08014C | 7700823097 | Lower wishbone RENAULT LAGUNA I. (01/94-12/00) LH |
| RE08015C | 7700807581 7700823581 | Lower wishbone RENAULT SAFRANE (01/92-12/00) RH |
| RE08016C | 7700807580 7700823580 | Lower wishbone RENAULT SAFRANE (01/92-12/00) LH |
| RE08017C | 7700820029 | Lower wishbone RENAULT TWINGO (03/93-) RH |
| RE08018C | 7700820028 | Lower wishbone RENAULT TWINGO (03/93-) LH |
| RE08021C | 8200346942 | Wishbone RENAULT MODUS (04-) RH |
| RE08022C | 8200346941 | Wishbone RENAULT MODUS (04-) LH |
| SILENT BLOCS – front axle | | |
| RE05001C | 7700799065 | Front (without edge) - RENAULT CLIO I. (01/91-09/98) – for wishbone |
| RE05002C | 7700799064 | Rear (with edge) - RENAULT CLIO I. (01/91-09/98) – for wishbone |
| RE05004C | 7700424399 | RENAULT CLIO II. (02/98-), KANGOO (10/97-) – for wishbone |
| RE05011C | 7704000681 | RENAULT 5 N.T., 9, 11 (fi 32 mm) – for wishbone |
| RE05003C | 7700789478 7700840741 | RENAULT 19 (01/88-11/96), MEGANE (10/95-08/02) – for wishbone |
| RE05009C | 7700822503 | Front - RENAULT LAGUNA I. (01/94-12/00) – for wishbone |
| RE05010C | 7700824042 | Rear - RENAULT LAGUNA I. (01/94-12/00) – for wishbone |
| RE05012C | - | Rear – RENAULT LAGUNA II. |
| RE05013C | - | Front – RENAULT LAGUNA II. |
| OP05010C | 82000024454 | RENAULT MASTER II. (10/97-) – for upper wishbone |
| OP05006C | 7700302122 | Front - RENAULT MASTER II. (10/97-) – for lower wishbone |
| OP05007C | 7700302123 | Rear - RENAULT MASTER II. (10/97-) – for lower wishbone |
| RE05005C | 7700819929 | Front - RENAULT TWINGO (03/93-) – for wishbone |
| RE05008C | 7700819928 7700831364 | Rear - RENAULT TWINGO (03/93-) – for wishbone |
| RE05015C | - | Front / small RENAULT MEGANE II. (09/02-), MODUS (04-) |
| RE05014C | - | Rear / big RENAULT MEGANE II. (09/02-), MODUS (04-) |

| | | |
|--------------|---|--|
| | | REAR AXLE MOUNTING |
| RE51001P | - | RENAULT LAGUNA II. (10/00-) RH |
| RE51002P | - | RENAULT LAGUNA II. (10/00-) LH |
| ROVER | | |
| | | TIE ROD ENDS |
| RO01001C | QJB100220 RBJ100220 | ROVER FREELANDER RH |
| RO01002C | QJB100230 RBJ100230 | ROVER FREELANDER LH |
| RO01004C | GSJ733 | ROVER 100 GTI, GTA (09/90-04/99) M12 X 1,25 |
| RO01003C | GSJ826 GSJ288 GSJ1011 | ROVER series 200 (10/89-12/99), 400 (03/90-06/97) – M14 X 1,5 |
| | | LINK STABILIZERS |
| RO02001C | EGP1162 EGP1662 51320SK3000 | ROVER series 200 (10/89-12/99), 400 (03/90-06/97) – with silent blocs |
| RO02001P | RBM100172 RBM100171 | ROVER FREELANDER |
| | | SUSPENSION BALL JOINTS |
| RO03001P | GSJ1002 | ROVER 200 series (10/89-12/99) 400 series (05/95-01/00) UPPER |
| RO03002P | 51220SB0003 51220SF1000 51220SH3003 | ROVER 200 series (10/89-12/99) 400 series (05/95-01/00) LOWER |
| LR03003C | - | ROVER FREELANDER (10/97-) LOWER |
| | | AXIAL JOINTS |
| RO04001P | - | ROVER 200 series, 400 series (10/89-12/99) – short |
| RO04001C | GSV1170 | ROVER 25-200 series (12/99-), M14X1,5 L=304 mm + 400 series (03/90-06/97) |
| | | CONTROL ARMS / WISHBONES |
| RO08001C | GSJ416 | Lower wishbone ROVER 100 series (09/90-04/99) RH |
| RO08002C | GSJ415 | Lower wishbone ROVER 100 series (09/90-04/99) LH |
| RO08003C | GSJ287 GSJ414 GSJ1184 GSJ1085 | Lower control arm ROVER 25-200 series (12/99-), 400 (03/90-06/97) RH |
| RO08004C | GSJ286 GSJ413 GSJ1086 | Lower control arm ROVER 25-200 series (12/99-), 400 (03/90-06/97) LH |
| RO08005C | GSJ1000 RBJ00370 | Lower wishbone (AL.) ROVER 75 series (99-) RH |
| RO08006C | GSJ1001 GSJ1190 | Lower wishbone (AL.) ROVER 75 series (99-) LH |
| HO08021C | 51450SV4000 51450SV4A00 GSJ424 | Upper wishbone ROVER series 600 (08/93-02/99) RH |
| HO08022C | 51460SV4000 51460SV4A00 GSJ423 | Upper wishbone ROVER series 600 (08/93-02/99) LH |
| | | SILENT BLOCS – front axle |
| RO05002C | RBX10025 | Front - ROVER 100 (09/90-04/99) - for lower wishbone |
| RO05003C | RBX10026 | Rear - ROVER 100 (09/90-04/99) - for lower wishbone |
| RO05001C | RGP1673 | ROVER series 200 (10/89-12/99), 400 (03/90-06/97), 25 (11/99-) - for control arm |
| SEAT | | |
| | | TIE ROD ENDS |
| SE01001P | 191419812 3A0422812 6N0419812 | SEAT CORDOBA (02/93-10/02), IBIZA (02/93-04/02), TOLEDO (01/91-03/99) RH |
| SE01002P | 191419811 3A0422811 6N0419811 | SEAT CORDOBA (02/93-10/02), IBIZA (02/93-04/02), TOLEDO (01/91-03/99) LH |
| VW01007C | 1092378 7M0422818 | SEAT ALHAMBRA (04/96-) RH |

| | | |
|----------------------------------|--|--|
| VW01008C | 7M0422818B 1092380 7M0422817 7M0422817B | SEAT ALHAMBRA (04/96-) LH |
| LINK STABILIZERS | | |
| FO02001P | 95VW5489AC 1009591 7M0411317D | SEAT ALHAMBRA (04/96-) |
| AU02001P | 6Q0.411.315A | SEAT CORDOBA (11/02-), IBIZA (02/02-) |
| AU02001C | 1J0.411.315G | SEAT LEON (11/99-) |
| SE02002P | 1J0.411.316D | SEAT LEON 4X4 (11/99-) RH |
| SE02003P | 1J0.411.315D | SEAT LEON 4X4 (11/99-) LH |
| SE02103P | 191.411.315A | SEAT IBIZA (02/93-09/95), TOLEDO(01/91-03/99) |
| AXIAL JOINTS | | |
| FO04005P | 7M04228034E | SEAT ALHAMBRA (04/96-) |
| VW04008C | 6N0419803 | SEAT AROSA (05/97-) manual steering L=320mm |
| VW04007C | 6N0422803A | SEAT AROSA (05/97-) power steering L=310mm |
| VW04001C | 191419721 191419807A | SEAT CORDOBA (02/93-10/02), IBIZA (02/93-04/02), TOLEDO (01/91-03/99) manual steering |
| VW04002C | 191422721 191407153 | SEAT CORDOBA (02/93-10/02), IBIZA (02/93-04/02), TOLEDO (01/91-03/99) power steering |
| SK04003C | - | SEAT IBIZA (02/02-) TRW steering L=297 mm |
| SE04003P | - | SEAT TOLEDO (09/94-04/99) power steering |
| AU04003P AU04002C | 1J0422807 1J0422807A 1H0422804 | SEAT LEON (11/99-), TOLEDO (05/99-12/04) power steering |
| SUSPENSION BALL JOINTS | | |
| VW03006C | 7200946 7M0407365A | SEAT ALHAMBRA (04/96-) LOWER |
| VW03007C | 6N0407365 | SEAT AROSA (05/97-) RH |
| VW03008C | 6N0407365 | SEAT AROSA (05/97-) LH |
| SE03001P | 357407365 | SEAT CORDOBA (02/93-10/02), IBIZA (02/93-04/02), TOLEDO (01/91-03/99) fi 19mm |
| AU03011P | 1J0407366A 1J0407366B 1J0427366C | SEAT LEON (11/99-) RH |
| AU03012P | 1J0407365A 1J0407365B 1J0407365C | SEAT LEON (11/99-) LH |
| SE03004P | 6Q0407366A | SEAT CORDOBA (11/02-), IBIZA (02/02-) RH |
| SE03005P | 6Q0407365A | SEAT CORDOBA (11/02-), IBIZA (02/02-) LH |
| CONTROL ARMS / WISHBONES | | |
| VW08005C | 7M0407152B 95VW3078AC 1012632 | Lower wishbone SEAT ALHAMBRA (04/96-) RH |
| VW08006C | 7M0407151B 95VW3079AC 1007602 | Lower wishbone SEAT ALHAMBRA (04/96-) LH |
| VW08008C | 6N0407151A | Lower wishbone SEAT AROSA (05/97-) RH (with ball joint) |
| VW08009C | 6N0407365A 6N0407151B | Lower wishbone SEAT AROSA (05/97-) LH (with ball joint) |
| SK08005C | 6Q0407151D | Lower wishbone SEAT IBIZA (02/02-) RH (with ball joint) |
| SK08006C | 6Q0407151D | Lower wishbone SEAT IBIZA (02/02-) LH (with ball joint) |
| AU08002C | 1J0407151B | Lower wishbone SEAT LEON (11/99-) - without ball joint |
| AU08003C | 1J0407151C | Lower wishbone SEAT LEON (11/99-) RH (with ball joint) |
| AU08004C | 1J0407151C | Lower wishbone SEAT LEON (11/99-) LH (with ball joint) |
| VW08011C | - | Lower wishbone SEAT TOLEDO, CORDOBA (01/91-03/99) – with ball joint FI 19mm RH |
| VW08012C | - | Lower wishbone SEAT TOLEDO, CORDOBA (01/91-03/99) – with ball joint FI 19mm LH |
| SILENT BLOCS – front axle | | |
| FO05007C | 7M0501541 7201717 | Front - SEAT ALHAMBRA (04/96-) – for wishbone |
| FO05011C | 7M0407181 | Rear - SEAT ALHAMBRA (04/96-) – for wishbone |

| | | |
|---------------|---|---|
| | 7M0407181A 95VW3A252BA 95VW5A628CA 7396830 | |
| SE05002C | 6N0407182 | Front - SEAT AROSA (05/97-) – for wishbone |
| SE05003C | 6N0407181 | Rear - SEAT AROSA (05/97-) – for wishbone |
| SE05001C | 191407181D 191407181E 357407181 | Rear - SEAT CORDOBA (02/93-10/02), IBIZA (02/93-04/02), TOLEDO (01/91-03/99) – for wishbone |
| SE05004C | - | Front - SEAT IBIZA (02/02-) – for wishbone |
| AU05010C | 191407182 357407182 357407182F | Front - SEAT LEON (11/99-) – for wishbone |
| AU05005C | 1J0407181 | Rear - SEAT LEON (11/99-) – for wishbone |
| FI05020C | 4157013 | SEAT MARBELLA (08/86-10/98) – for wishbone |
| | | REAR AXLE MOUNTINGS |
| SE51001C | 191501541 | SEAT TOLEDO-CORDOBA-IBIZA (93-99) |
| SUBARU | | |
| | | TIE ROD ENDS |
| SU01001C | 31320GA190 | SUBARU IMPREZA, LEGACY (05/89-09/00) RH |
| SU01002C | 31320GA200 | SUBARU IMPREZA, LEGACY (05/89-09/00) LH |
| | | SUSPENSION BALL JOINTS |
| SU03001P | - | SUBARU JUSTY (10/84-07/95) - short coil |
| SU03002P | 721067020 | SUBARU JUSTY (10/84-07/95) - long coil |
| SU03002C | 711067022 | |
| SU03001C | 721067000 721067001 721067002 | SUBARU LEONE (06/84-02/92) |
| SU03004P | 21067GA050 721067003 | SUBARU LEGACY (05/89-) |
| | | AXIAL JOINTS |
| SU04001C | 731310140 | SUBARU JUSTY I. (10/84-07/95), JUSTY II.(09/95-01/03) |
| SU04002C | 34140AA040 34140AA030 | SUBARU IMPREZA, LEGACY (05/89-09/00) |
| SUZUKI | | |
| | | TIE ROD ENDS |
| SZ01001P | 4881060B00 4881060B00 | SUZUKI BALENO (02/95-08/98), SWIFT II. (01/89-) |
| SZ01001C | 4881084000 | SUZUKI ALTO (12/85-12/98) |
| | | LINK STABILIZERS |
| SZ02001P | 4663060G00 | SUZUKI BALENO (08/98-), SWIFT II. (01/89-) |
| | | AXIAL JOINTS |
| SZ04002C | 4883084000 | SUZUKI ALTO (12/85-12/98) |
| SZ04001C | 4883060G00 | SUZUKI BALENO (08/98-) M12X1,25 L=311mm |
| SZ04003C | 4883060B00 | SUZUKI SWIFT II. (01/89-) |
| | | REAR AXLE CROSS |
| SZ54001C | 46300-60B10 | SUZUKI SWIFT II. |
| | | CONTROL ARMS / WISHBONES |
| DW08001C | 4520084000 45000A78B01 | Wishbone / control arm SUZUKI ALTO (07/81-), MARUTI |
| SZ08001C | 4520160B01 4520150G10 4520170C00 | Lower wishbone SUZUKI SWIFT II. (01/89-) RH |
| SZ08002C | 4520260B01 4520250G10 4520270C00 | Lower wishbone SUZUKI SWIFT II. (01/89-) LH |
| | | SILENT BLOCS – front axle |
| SZ05001C | - | Front - SUZUKI SWIFT II.(01/89-) – for wishbone |
| SZ05002C | - | Rear - SUZUKI SWIFT II. (01/89-) – for wishbone |
| | | SILENT BLOCS – rear axle |
| SZ52001C | - | Front (large) - SUZUKI SWIFT II.(01/89-) – for wishbone |

| | | |
|----------------------------------|--|---|
| SZ52002C | - | Rear (small) - SUZUKI SWIFT II. (01/89-) – for wishbone |
| SZ52003C | 49519 | SUZUKI SWIFT II. (01/89-) – for rear axle cross |
| ŠKODA | | |
| TIE ROD ENDS | | |
| SK01001P | 111500440 111500441 | ŠKODA 105, 110, 120, 130, 136, (12/69-10/91) |
| SK01002P SK01001C | 115500440 007350278P 6U0422811 | ŠKODA FAVORIT (05/89-03/95), FELICIA (10/94-09/00) |
| AU01005C | 1J0422812A 3A0422812A | ŠKODA OCTAVIA (09/96-11/97) L= 74mm RH |
| AU01006C | 1J0422811A 3A0422811A | SKODA OCTAVIA (09/96-11/97) L= 74mm LH |
| AU01007C | 1J0422812B 3A0422812B | SKODA OCTAVIA (12/97-06/03) L= 94mm RH |
| AU01008C | 1J0422811B 3A0422811B | SKODA OCTAVIA (12/97-06/03) L= 94mm LH |
| LINK STABILIZERS | | |
| AU02001P | 6Q0411315C | ŠKODA FABIA (12/99-) |
| AU02001C | 1J0422315G 1J0422315H | SKODA OCTAVIA (09/96-12/04) |
| SE02002P | 68510018 | ŠKODA OCTAVIA 4X4 (09/96-12/04) RH |
| SE02003P | 68510017 | ŠKODA OCTAVIA 4X4 (09/96-12/04) LH |
| SUSPENSION BALL JOINTS | | |
| SE03004P | 6Q0407366A | ŠKODA FABIA (12/99-) RH |
| SE03005P | 6Q0407365A | ŠKODA FABIA (12/99-) LH |
| SK03001P | 115420240 6U0407365 | ŠKODA FAVORIT (05/89-03/95), FELICIA (10/94-09/00) |
| AU03011P | 1J0407366A 1J0407366B 1J0427366C | ŠKODA OCTAVIA (09/96-12/04) RH |
| AU03012P | 1J0407365A 1J0407365B 1J0407365C | ŠKODA OCTAVIA (09/96-12/04) LH |
| AXIAL JOINTS | | |
| SE04002P | - | ŠKODA FABIA (12/99-) KOYO steering |
| SK04003C | - | ŠKODA FABIA (12/99-) TRW steering L=297 mm |
| SK04001C | 007350278N 6U0422807 | ŠKODA FELICIA (10/94-09/00) manual steering L=360mm |
| SK04002C | 640422807 | ŠKODA FELICIA (10/94-09/00) power steering L=320mm |
| AU04003P AU04002C | 1J0422807 1J0422807A | ŠKODA OCTAVIA (12/97-06/03) - short |
| AU04001C | 1J0422821A | ŠKODA OCTAVIA (09/96-11/97) – long |
| CONTROL ARMS / WISHBONES | | |
| SK08005C | 6Q0407151D | Lower wishbone ŠKODA FABIA (12/99-) RH (with ball joint) |
| SK08006C | 6Q0407151D | Lower wishbone ŠKODA FABIA (12/99-) LH (with ball joint) |
| SK08001C | 7304448 007304446 | Lower wishbone ŠKODA FELICIA (10/94-97) RH |
| SK08002C | 7304447 007304447 | Lower wishbone ŠKODA FELICIA (10/94-97) LH |
| SK08003C | 6U0407152B | Lower wishbone ŠKODA FELICIA (97-09/00) RH |
| SK08004C | 6U0407151B | Lower wishbone ŠKODA FELICIA (97-09/00) LH |
| AU08002C | 1J0407151A 1J0407151B 1J0407151C | Lower wishbone ŠKODA OCTAVIA (09/96-12/04) - without ball joint |
| AU08003C | - | Lower wishbone ŠKODA OCTAVIA (09/96-12/04) RH (with ball joint) |
| AU08004C | - | Lower wishbone ŠKODA OCTAVIA (09/96-12/04) LH (with ball joint) |
| SILENT BLOCS – front axle | | |
| SE05004C | - | Front - ŠKODA FABIA (12/99-) – for wishbone |
| SK05001C | 115422291 | Rear - ŠKODA FAVORIT (87-93), FORMAN (94-) – for wishbone |
| SK05002C | 115422292 | Rear - ŠKODA FAVORIT (93-95) – for wishbone |
| SK05003C | 6U0407504 | Rear (with housing) - ŠKODA FELICIA(10/94-09/00) RH – for wishbone) |
| SK05004C | 6U0407503 | Rear (with housing) - ŠKODA FELICIA (10/94-09/00) LH – for wishbone |

| | | |
|----------------------------------|--|--|
| AU05010C | 191407182 357407182 357407182F | Front - ŠKODA OCTAVIA (09/96-12/04) – for wishbone |
| AU05005C | 1J0407181 | Rear - ŠKODA OCTAVIA (09/96-12/04) – for wishbone |
| AU05012C | 4D0407183M 4D0407183N 4D0407183P | Inner - ŠKODA SUPERB (12/01-) – for rear control arm |
| TOYOTA | | |
| TIE ROD ENDS | | |
| TO01001C | 45047-39215 | TOYOTA LAND CRUSER 100 VX |
| LINK STABILIZERS | | |
| TO02001P | 4882020040 | TOYOTA CARINA (02/92-12/97), PICNIC (09/96-08/01) FRONT - RH |
| TO02002P | 4881020020 | TOYOTA CARINA (02/92-12/97), PICNIC (09/96-08/01) FRONT - LH |
| TO02003P | 4883020010 4883032010 | TOYOTA CARINA (02/92-12/97), CELICA(09/85-11/99) REAR |
| TO02004P | 48820-28010 | TOYOTA PREVIA (04/90-08/00) RH |
| TO02005P | 48820-28010 | TOYOTA PREVIA (04/90-08/00) LH |
| TO02006P | 48820-33010 | TOYOTA CELICA (11/93-11/99), COROLLA (04/87-10/01), RAV 4 (04/94-06/00) FRONT |
| SUSPENSION BALL JOINTS | | |
| TO03001C | 43330-19066 | TOYOTA COROLLA E9 (04/87-04/92) RH |
| TO03002C | 43340-19015 | TOYOTA COROLLA E9 (04/87-04/92) LH |
| TO03003C | 43330-19115 | TOYOTA AVENSIS (09/97-03/03), CARINA II. (03/88- 02/92), CARINA E (02/92-12/97) LOWER |
| TO03004C | 43330-19115 | TOYOTA COROLLA E11 (05/97-10/01), E12 (11/01-), COROLLA VERSO (11/01-05/04), PRIUS (05/00-02/04), RAV 4 (07/00-) LOWER |
| TO03001P | - | TOYOTA YARIS (02/99-) |
| AXIAL JOINTS | | |
| TO04001C | 4550369025 | TOYOTA LAND CRUSER 100 VX |
| SILENT BLOCS – front axle | | |
| TO05002C | - | REAR - TOYOTA CARINA E (T19) (02/92-12/97) – for wishbone |
| TO05001C | 4865512120 | Rear - TOYOTA COROLLA (05/97-10/01) – for wishbone |
| VOLKSWAGEN | | |
| TIE ROD ENDS | | |
| VW01001P | 171419811A 171419811 251419811 | VW GOLF I. (04/74-07/83), JETTA I. (08/79-12/83) |
| SE01001P | 191419812 3A0422812 6N0419812 | VW GOLF II. (08/83-07/92), GOLF III. (11/91-07/98), CORRADO (08/91-07/95), JETTA II. (01/84-07/92), PASSAT III. (03/88-01/94), POLO (10/94-09/01), VENTO (01/92-02/98) , LUPO RH |
| SE01002P | 191419811 3A0422811 6N0419811 | VW GOLF II. (08/83-07/92), GOLF III. (11/91-07/98), CORRADO (08/91-07/95), JETTA II. (01/84-07/92), PASSAT III. (03/88-01/94), POLO (10/94-09/01), VENTO (01/92-02/98), LUPO LH |
| AU01005C | 1J0422812A 3A0422812A | VW GOLF IV. (09/96-07/97) L= 74mm RH |
| AU01006C | 1J0422811A 3A0422811A | VW GOLF IV. (09/96-07/97) L= 74mm LH |
| AU01007C | 1J0422812B 3A0422812B | VW GOLF IV. (08/97-06/03) L= 94mm RH |
| AU01008C | 1J0422811B 3A0422811B | VW GOLF IV. (08/97-06/03) L= 94mm LH |
| VW01010C | 1K0423812A | VW GOLF V. (07/04-) RH |
| VW01011C | 1K0423811A | VW GOLF V. (07/04-) LH |
| AU01002P | 811419812A 811419812B | VW PASSAT (08/80-06/89) |
| AU01009C | 4D0419811A 4B0419811B 4B0419811C | VW PASSAT IV. (08/96-) |
| VW01007C | 1092378 7M0422818 7M0422818B | VW SHARAN (09/95-) RH |

| | | |
|----------|--|---|
| VW01008C | 1092380 TM0422817 7M0422817B | VW SHARAN (09/95-) LH |
| VW01001C | 701419812 | VW TRANSPORT. IV. (09/90-07/94) – fi 12,8mm RH |
| VW01002C | 701419811A | VW TRANSPORT. IV. (09/90-07/94) – fi 12,8mm LH |
| VW01003C | 701419812A | VW TRANSPORT. IV. (08/94-09/03) – fi 16mm RH |
| VW01004C | 701419811B | VW TRANSPORT. IV. (08/94-09/03) – fi 16mm LH |
| VW01005C | 701419812B 701419812D | VW TRANSPORT. IV. (01-08/03) fi 18mm RH |
| VW01006C | 701419811C 701419811E | VW TRANSPORTER IV. (01-08/03) FI 18mm LH |
| | | LINK STABILIZERS |
| VW02001C | 535411315 | VW GOLF III. GTI (11/91-07/98) - tie rod end+silent bloc |
| AU02001C | 1J0422315G 1J0422315H | VW GOLF IV. (08/97-), NEW BEETLE (01/98-) |
| VW02002C | 701411049 7D0411049 | VW TRANSPORTER (09/90-09/03) |
| SE02002P | 68510018 | VW GOLF IV. 4-MOTION (08/97-) RH |
| SE02003P | 68510017 | VW GOLF IV. 4-MOTION (08/97-) LH |
| VW02003C | 1K0411315D | VW GOLF V. (07/04-) FRONT |
| VW02004C | - | VW GOLF V. (07/04-) REAR |
| AU02002P | - | VW PASSAT IV. (08/96-) |
| AU02004C | 4D0411317J 4D0411317G | VW PASSAT IV. (08/96-) – AI. |
| AU02001P | 6Q0411315C | VW POLO IV. (10/01-) |
| FO02001P | 95VW5489AC 1009591 7M0411317D | VW SHARAN (09/95-) |
| | | SUSPENSION BALL JOINTS |
| VW03001P | 171407365F 171407365G | VW GOLF I. (04/74-07/83) fi 17 mm |
| VW03002P | 191407365 191407365B | VW GOLF II. (08/83-07/87), JETTA (01/84-07/87) fi 17 mm |
| SE03001P | 357407365 | VW GOLF II. (08/87-07/92), GOLF III. (11/91-07/98), JETTA (08/87-07/92), PASSAT (03/88-05/97), VENTO (01/92-08/98) fi 19 mm |
| AU03011P | 1J0407366A 1J0407366B 1J0407366C | VW GOLF IV.(08/97-),BORA(10/98-), BEETLE (01/98-) RH |
| AU03012P | 1J0407365A 1J0407365B 1J0407365C | VW GOLF IV.(08/97-),BORA(10/98-), BEETLE (01/98-) LH |
| VW03009C | 1K0407366E | VW GOLF V. (07/04-) RH |
| VW03010C | 1K0407365E | VW GOLF V. (07/04-) LH |
| VW03007C | 6N0407365 | VW POLO III. (10/94-09/01), LUPO (04/98-) RH |
| VW03008C | 6N0407365 | VW POLO III. (10/94-09/01), LUPO (04/98-) LH |
| SE03004P | 6Q0407366A | VW POLO IV. (10/01-) RH |
| SE03005P | 6Q0407365A | VW POLO IV. (10/01-) LH |
| VW03006C | 7200946 7M0407365A | VW SHARAN (09/95-) - lower |
| VW03001C | 251407361 | VW TRANSPORT. T2 (05/79-07/92) - upper |
| VW03002C | 251407187 251407187A 251407187B | VW TRANSPORTER T2 (05/79-07/92) - lower |
| VW03003C | 701407187A 701407187B | VW TRANSPORT. T4 (09/90-09/03) - upper |
| VW03004C | 701407361B 701407361 | VW TRANSPORTER T4 (09/90-12/95) – lower (screw M10) |
| VW03004P | 701407187A 701407187B | VW TRANSP. T4 (09/90-09/03) - upper |
| VW03005C | 7E0407361 | VW TRANSPORTER T5 (10/03-) – lower |
| | | AXIAL JOINTS |
| VW04001P | 171419821A | VW GOLF I. (04/74-07/83) |
| VW04001C | 191419721 191419807A | VW GOLF II. (08/83-07/92), JETTA II. Manual steering |
| VW04002C | 191422721 191407153 | VW GOLF II. (08/83-07/92), JETTA II. Power steering |
| SE04003P | 1H0422821 | VW GOLF III. (11/91-07/98) power steering |

| | | |
|----------------------|--|---|
| AU04001C | - | VW GOLF IV. (09/96-07/97) - long |
| AU04003P AU04002C | 1J0422807 1J0422807A | VW GOLF IV. (08/97-) - short |
| VW04009C | 1K0423810A | VW GOLF V. (07/04-) |
| VW04003C | 357419823 357422821 | VW PASSAT III. (11/91-07/98) power steering |
| VW04004C | 357419821 | VW PASSAT III. (11/91-07/98) manual steering |
| AU04001P | 4D0422821 4B0422821 | VW PASSAT IV. (08/96-) |
| VW04008C | 6N0419803 | VW POLO III. (10/94-09/01), LUPO (04/98-) manual steering L=320mm |
| VW04007C | 6N0422803A | VW POLO III. (10/94-09/01), LUPO (04/98-) power steering L=310mm |
| SK04003C | - | VW POLO IV. (10/01-) TRW steering L=297 mm |
| FO04005P | 7M04228034E | VW SHARAN (09/95-) |
| VW04005C VW04007P | 701419804F 702419803D | VW TRANSPORTER T4 (09/90-09/03) |
| VW04006C | - | VW TRANSPORTER T5 (10/03-) |
| | | CONTROL ARMS / WISHBONES |
| AU08007C | 8D0407506B 8D0407506H | Front upper control arm - straight VW PASSAT IV. (08/96-) RH |
| AU08008C | 8D0407505B 8D0407505H | Front upper control arm - straight VW PASSAT IV. (08/96-) LH |
| AU08009C | 4D0407510D | Rear upper control arm - curved VW PASSAT IV. (08/96-) RH |
| AU08010C | 4D0407509D | Rear upper control arm - curved VW PASSAT IV. (08/96-) LH |
| AU08011C | 4D0407151G 4D0407151H 4D0407151J | Front lower control arm – straight VW PASSAT IV. (08/96-) |
| AU08001C | 8E0407151M | Front lower control arm - straight VW PASSAT IV. (11/00-) |
| AU08012C | 4D0407694M 4D0407694N 8E0407694 | Rear lower control arm - curved VW PASSAT IV. (08/96-) RH |
| AU08013C | 4D0407693M 4D0407693N 8E0407693 | Rear lower control arm - curved VW PASSAT IV. (08/96-) LH |
| VW08011C | 191407151B | Lower wishbone VW GOLF II. (08/87-07/92), CORRADO (09/88-12/95), JETTA (08/87-07/92) – with ball joint FI 19mm RH |
| VW08012C | 191407151B | Lower wishbone VW GOLF II. (08/87-07/92), CORRADO (09/88-12/95), JETTA (08/87-07/92) – with ball joint FI 19mm LH |
| VW08002C | 1H0407151 | Lower wishbone VW GOLF III. (11/91-07/98), VENTO RH – with ball joint |
| VW08003C | 1H0407151 | Lower wishbone VW GOLF III. (11/91-07/98), VENTO LH – with ball joint |
| VW08013C | - | Lower wishbone VW GOLF III. (11/91-07/98), VENTO – without ball joint RH + LH |
| AU08002C | 1J0407151A 1J0407151B 1J0407151C | Lower wishbone VW GOLF IV.(08/97-),BEETLE(01/98-), BORA(10/98-) – without ball joint |
| AU08003C | - | Lower wishbone VW GOLF IV.(08/97-),BEETLE(01/98-), BORA(10/98-) – with ball joint RH |
| AU08004C | - | Lower wishbone VW GOLF IV.(08/97-),BEETLE(01/98-), BORA(10/98-) – with ball joint LH |
| VW08001C | 357407151 | Lower wishbone VW PASSAT III. (11/91-07/98) – with ball joint RH |
| VW08004C | 357407153 | Lower wishbone VW PASSAT III. (11/91-07/98) – with ball joint LH |
| VW08007C | 861407151B | Lower control arm VW POLO – DERBY (10/81-09/94) - fi 17mm |
| VW08010C | 6X0407151A | Lower wishbone VW LUPO (04/98-) - without ball joint RH + LH |
| VW08008C | 6N0407151B | Lower wishbone VW POLO III. (10/94-09/01) – with ball joint RH |
| VW08009C | 6N0407151 | Lower wishbone VW POLO III. (10/94-09/01) – with ball joint LH |
| SK08005C | 6Q0407151D | Lower wishbone VW POLO IV. (10/01-) - with ball joint RH |
| SK08006C | 6Q0407151D | Lower wishbone VW POLO IV. (10/01-) - with ball joint LH |
| VW08005C | 7M0407152B 95VW3078AC 1012632 | Lower wishbone VW SHARAN (09/95-) RH |
| VW08006C | 7M0407151B 95VW3079AC 1007602 | Lower wishbone VW SHARAN (09/95-) LH |
| | | SILENT BLOCS – front axle |

| | | |
|----------------------|--|--|
| AU05012C | 4D0407183M 4D0407183N 4D0407183P | Inner - VW PASSAT (08/96-09/00) – for rear lower control arm |
| AU05011C | 823407181 | VW POLO (04/75-09/81) – for lower control arm |
| SE05002C | 6N0407182 | Front - VW LUPO (04/98-), POLO III. (10/94-09/01) – for wishbone |
| SE05003C | 6N0407181 | Rear - VW LUPO (04/98-), POLO III. (10/94-09/01) – for wishbone |
| SE05004C | - | Front - VW POLO IV. (10/01-) – for wishbone |
| VW05109P | - | Front – VW GOLF III. (11/91-07/98) – for wishbone |
| SE05001C | 191407181D 191407181E 357407181 | Rear - VW GOLF II., III. – for wishbone |
| AU05010C | 191407182 357407182 357407182F | Front - VW GOLF IV. (08/97-09/03) – for wishbone |
| AU05005C | 1J0407181 | Rear - VW GOLF IV. (08/97-09/03) – for wishbone |
| FO05007C | 7M0501541 7201717 | Front - VW SHARAN (09/95-) – for wishbone |
| FO05011C | 7M0407181 7M0407181A 95VW3A252BA 95VW5A638CA 7396830 | Rear - VW SHARAN (09/95-) – for wishbone |
| VW05002C | 251407077 251407077B | Upper - VW TRANSPORTER T2 (05/79-07/92) – for wishbone |
| VW05004C | - | Rear lower - VW TRANSPORTER T2 (05/79-07/92) – for wishbone |
| VW05007C | 701407087 | Rear lower - VW TRANSPORTER T3 (-07/92) – for wishbone |
| VW05003C | 701407077 701407077A | Front lower - VW TRANSPORTER T4 (09/90-07/91) – for wishbone |
| VW05006C | 701407183 | Front lower - VW TRANSPORTER T4 (08/91-07/94) – for wishbone |
| VW05001C | 7D0407183 | Front lower - VW TRANSPORTER T4 (08/94-09/03) – for wishbone |
| VW05005C | 701407140 701407140C 7D0407140 | Rear lower - VW TRANSPORTER T4 (09/90-09/03) – for wishbone |
| | | REAR AXLE MOUNTING |
| SE51001C | 191501541 | VW GOLF II.-JETTA II.-CORRADO (08/83-07/92) |
| VW51002C | 1H0501541A | VW GOLF III. (11/91-07/98) |
| VW51009P | 1H0501541A | VW GOLF III. (11/91-07/98) |
| VW51001C | 333501541 357501541 357501541A 3A0501541 | VW PASSAT (08/96-09/00) |
| | | OTHER |
| VW06103P | - | Stabilizer rubber VW GOLF IV. - fi 19 mm |
| VW06101P | - | Stabilizer rubber VW GOLF IV. - fi 21 mm |
| VW06102P | - | Stabilizer rubber VW GOLF IV. - fi 23 mm |
| VW06001C | - | Stabilizer rubber VW TRANSPORTER T2 (05/79-07/92) |
| DW98001C | 353460 | Tube for rear silent bloc VW GOLF II., III. (short - half) |
| VW98001C | 4A0399413A | Tube for rear silent bloc VW GOLF II., III. (long - single) |
| VOLVO | | |
| | | TIE ROD ENDS |
| VO01001P VO01007C | 3480012 3448334 3410364 | VOLVO 440/460 (05/86-12/96) RH + LH |
| VO01001C | 274176 | VOLVO S60 (10/00-),S70 II. (03/00-),S80 (05/98-) RH |
| VO01002C | 274175 | VOLVO S60 (10/00-),S70 II. (03/00-),S80 (05/98-) LH |
| VO01003C | 3546268 271599 | VOLVO 850 (06/91-12/96), S70 (01/97-03/00) RH |
| VO01004C | 3546267 271598 | VOLVO 850 (06/91-12/96), S70 (01/97-03/00) LH |
| VO01005C | 274499 274352 | VOLVO XC 90 RH |
| VO01006C | 274498 274351 | VOLVO XC 90 LH |
| | | LINK STABILIZERS |
| VO02001P | 3209408 | VOLVO 343, 340, 345, 360, (08/76-07/91) RH |

| | | |
|----------|----------------------------------|--|
| VO02002P | 3209407 | VOLVO 343, 340, 345, 360, (08/76-07/91) LH |
| VO02003P | 3467714 3416130 | VOLVO 440, 460, 480, (05/86-12/96) RH |
| VO02004P | 3467713 3416129 | VOLVO 440, 460, 480, (05/86-12/96) LH |
| VO02005P | 1387860 8628726 | VOLVO 850 (06/91-12/96), S70-V70 (01/97-03/00) FRONT |
| MI02001P | 30873100 30871770 30884358 | VOLVO S40-V40 (07/95-03) FRONT |
| VO02007P | 30852103 30884359 | VOLVO S40-V40 (07/95-03) REAR |
| VO02008P | 30884179 | VOLVO S40-V40 (03-) FRONT |
| VO02001C | 30852103 30884359 | VOLVO S40-V40 (03-) REAR |
| VO02009P | 274456 | VOLVO S60 (10/00-), S70-V70 (03/00-), S80 (05/98-) FRONT |
| VO02010P | 8672446 | VOLVO S60 (10/00-), S70-V70 (03/00-), S80 (05/98-) REAR |
| | | SUSPENSION BALL JOINTS |
| VO03002C | 3268631 3211956 | VOLVO 340 – 360 (08/76-07/91) lower |
| VO03003C | 3410519 3465482 | VOLVO 440 – 460 (05/86-12/96) lower |
| HY03002P | 30821650 30821651 MB303374 | VOLVO S40-V40 (07/95-) |
| VO03001C | 274187 | VOLVO S60(10/00-), S70,V70(03/00-), S80 (05/98-) lower |
| VO03004C | 274523 | VOLVO XC 90 |
| | | AXIAL JOINTS |
| MI04002C | MB297969 3345797 | VOLVO S40 (07/95-03) M12X1,25 L=310mm |
| VO04001C | 3546266 | VOLVO 850(06/91-12/96), S70,V70(01/97-03/00) |
| VO04002C | 274353 | VOLVO S60(10/00-), S70,V70(03/00-), S80(05/98-) |
| VO04003C | 274353 | VOLVO XC 90 |
| | | CONTROL ARMS / WISHBONES |
| VO08001C | 3443999 | Lower wishbone VOLVO 440 – 460 (05/86-12/96) RH (with ball joint) |
| VO08002C | 3443998 | Lower wishbone VOLVO 440 – 460 (05/86-12/96) LH (with ball joint) |
| VO08011C | - | Lower wishbone VOLVO 440 – 460 (05/86-12/96) RH (without ball joint) |
| VO08012C | - | Lower wishbone VOLVO 440 – 460 (05/86-12/96) LH (without ball joint) |
| VO08003C | 30863989 30887033 | Lower wishbone VOLVO S40 – V40 (07/95-00) RH |
| VO08004C | 30863988 3086388 | Lower wishbone VOLVO S40 – V40 (07/95-00) LH |
| VO08005C | 3087654 | Lower wishbone VOLVO S40 – V40 (00-) RH |
| VO08006C | 3087653 | Lower wishbone VOLVO S40 – V40 (00-) LH |
| VO08007C | 272337 9192917 277227 | Lower wishbone VOLVO C70 – S70 – V70 (01/97-03/00), 850 (06/91-12/96) RH |
| VO08008C | 271901 9492914 | Lower wishbone VOLVO C70 – S70 – V70 (01/97-03/00), 850 (06/91-12/96) LH |
| VO08009C | 272337 9192917 277227 | Lower wishbone VOLVO C70–S70–V70 (01/97-03/00) – only TD RH |
| VO08010C | 272336 9492916 272273 | Lower wishbone VOLVO C70–S70–V70 (01/97-03/00) – onlly TD LH |
| VO08101P | 30821650 | Lower wishbone VOLVO S60 (10/00-), V70 II. (03/00-) RH |
| VO08102P | 8649543 | Lower wishbone VOLVO S60 (10/00-), V70 II. (03/00-) LH |
| | | SILENT BLOCS – front axle |
| MI05001C | 30818467 | Front - VOLVO S40 – V40 (07/95-) – for wishbone |
| VO05003C | 6550145P 6800251 | VOLVO 850 (06/91-12/96) – for wishbone |
| VO05001C | - | Front - VOLVO S70, V70 (01/97-03/00) – for wishbone |
| VO05002C | - | Rear - VOLVO S70, V70 (01/97-03/00) – for wishbone |

| ZASTAVA | | |
|----------------|---------|---|
| ZA01001P | - | Tie rod end - short ZASTAVA 101, YUGO (01/69-12/93) |
| ZA01002P | 4256957 | Tie rod end - long ZASTAVA 101, YUGO (01/69-12/93) |

REBUILD PARTS

| CODE | DESCRIPTION |
|-------------|--|
| ALFA | |
| AL01001O | Tie rod end ALFA 145, 146 (10/ 94-02/01), 155 (02/92-) RH |
| AL01002O | Tie rod end ALFA 145, 146 (10/94-02/01), 155 (02/95-) LH |
| AL03001O | Suspension ball joint ALFA 164 (01/87-08/98) |
| AL03002O | Suspension ball joint ALFA 145, 146 (10/ 94-02/01), 155 (02/92-) RH + LH |
| AL03003O | Suspension ball joint - upper ALFA 147 (03/00-11/04), 156 (09/97-) RH + LH |
| AL03004O | Suspension ball joint - lower ALFA 147 (03/00-11/04), 156 (09/97-) RH + LH |
| AL03005O | Suspension ball joint - lower ALFA 166 (09/98-) RH + LH |
| AL08001O | Wishbone ALFA 145, 146 (10/ 94-02/01), 155 (02/92-) RH |
| AL08002O | Wishbone ALFA 145, 146 (10/ 94-02/01), 155 (02/92-) LH |
| AL08003O | Wishbone ALFA 164 (01/87-08/98) RH + LH (without ball joint) |
| AL08004O | Wishbone ALFA 164 (01/87-08/98) RH |
| AL08005O | Wishbone ALFA 164 (01/87-08/98) LH |
| AL08006O | Upper wishbone ALFA 147(03/00-11/04), 156 (09/97-) RH |
| AL08007O | Upper wishbone ALFA 147(03/00-11/04), 156 (09/97-) LH |
| AL08008O | Lower wishbone ALFA 147(03/00-11/04), 156 (09/97-) RH |
| AL08009O | Lower wishbone ALFA 147(03/00-11/04), 156 (09/97-) LH |
| AL08010O | Upper wishbone ALFA 166 (09/98-) RH |
| AL08011O | Upper wishbone ALFA 166 (09/98-) LH |
| AL08012O | Lower wishbone ALFA 166 (09/98-) RH |
| AL08013O | Lower wishbone ALFA 166 (09/98-) LH |
| AL54001O | Rear axle cross ALFA 164 (01/87-08/98) RH + LH |
| FI53003O | Rear wishbone ALFA 145, 146 (10/94-02/01) RH |
| FI53004O | Rear wishbone ALFA 145,146 (10/94-02/01) LH |
| AUDI | |
| AU01001O | Tie rod end AUDI 50 (74-82) - long |
| AU01003O | Tie rod end AUDI A4 (11/94-), A6 (08/97-), A8 (03/94-) |
| AU03001O | Suspension ball joint AUDI 50 (74-82) |
| AU03002O | Suspension ball joint AUDI 80 |
| AU03003O | Suspension ball joint AUDI 100, A6 ST.T. |
| AU08001O | Wishbone AUDI 50 (74-82) - ball joint + silent blocs |
| AU08002O | Wishbone AUDI 80 - ball joint + silent blocs |
| AU08003O | Control arm AUDI 100 , A6 old type RH |
| AU08004O | Control arm AUDI 100 , A6 old type LH |
| AU08005O | Wishbone AUDI A3 (09/96-09/97) - with ball joint RH + LH |
| AU08006O | Front upper control arm AUDI A4 (11/94-), A6 (08/97-) RH |
| AU08007O | Front upper control arm AUDI A4 (11/94-), A6 (08/97-) LH |
| AU08008O | Rear upper control arm AUDI A4 (11/94-), A6(08/97-), A8(03/94-) RH |
| AU08009O | Rear upper control arm - AUDI A4 (11/94-), A6(08/97-), A8(03/94-) LH |
| AU08010O | Front upper control arm - AUDI A8 (03/94-) RH + LH |
| AU08011O | Front lower control arm - AUDI A4 (11/94-), A6(08/97-), A8 (03/94-) RH + LH |
| AU08012O | Rear lower control arm - AUDI A4 (11/94-), A6(08/97-), A8(03/94-) RH |
| AU08013O | Rear lower control arm - AUDI A4 (11/94-), A6(08/97-), A8(03/94-) LH |
| BMW | |
| BW01001O | Tie rod end BMW series 3, 5, 7 |
| BW03001O | Suspension ball joint BMW E21 (06/75-07/84) |
| BW03002O | Suspension ball joint - lower / upper BMW E31, E32, E34 |
| BW03003O | Suspension ball joint - upper BMW E39 |
| BW08001O | Control arm BMW series 3 E21 (06/75-07/84) RH |
| BW08002O | Control arm BMW series 3 E21 (06/75-07/84) LH |
| BW03004O | Suspension ball joint - outer BMW series 3 E30 (09/82-05/94), E36(09/90-03/00) RH + LH |
| BW08003O | Wishbone BMW series 3 E30 (09/82-05/94), E36 (09/90-03/00) RH |

| | |
|-----------------|--|
| BW08004O | Wishbone BMW series 3 E30 (09/82-05/94), E36 (09/90-03/00) LH |
| BW03005O | Suspension ball joint - outer BMW series 3 E46 (05/98-) RH + LH |
| BW03006O | Suspension ball joint – outer + inner BMW E46 (05/98-) RH + LH |
| BW08005O | Wishbone – only silent blocs exchange BMW E46 (05/98-) RH + LH |
| BW08006O | Wishbone BMW series 3 E46 (05/98-) RH |
| BW08007O | Wishbone BMW series 3 E46 (05/98-) LH |
| BW08008O | Upper control arm - BMW series 5 E34 (02/88-02/97) RH |
| BW08009O | Upper control arm - BMW series 5 E34 (02/88-02/97) LH |
| BW08010O | Lower control arm - BMW series 5 E34 (02/88-02/97) RH |
| BW08011O | Lower control arm - BMW series 5 E34 (02/88-02/97) LH |
| BW08012O | Upper control arm - BMW series 5 E39 (09/95-) RH |
| BW08013O | Upper control arm - BMW series 5 E39 (09/95-) LH |
| BW08014O | Lower control arm - BMW series 5 E39 (09/95-) RH |
| BW08015O | Lower control arm - BMW series 5 E39 (09/95-) LH |
| BW11001O | Torque rod BMW series 5, 7 |
| CHRYSLER | |
| CH01001O | Tie rod end CHRYSLER VOYAGER I. (01/84-01/95), II. (01/95-03/01) |
| CH01002O | Tie rod end CHRYSLER STRATUS |
| CH10001O | Panhard rod JEEP GRAND CHEROKEE |
| CITROEN | |
| CI01001O | Tie rod end CITROEN BX (09/82-10/93) RH |
| CI01002O | Tie rod end CITROEN BX (09/82-10/93) LH |
| CI01003O | Tie rod end CITROEN C25 (07/81-03/94) |
| CI01004O | Tie rod end CITROEN JUMPER (04/94-) |
| CI03001O | Suspension ball joint CITROEN AX (with exchange) |
| CI03002O | Suspension ball joint CITROEN C15 (10/84-12/97) RH + LH |
| CI03003O | Suspension ball joint CITROEN JUMPY, EVASION, (06/94-) |
| CI08001O | Wishbone CITROEN AX (09/86-91) fi 14 mm RH |
| CI08002O | Wishbone CITROEN AX (09/86-91) fi 14 mm LH |
| CI08003O | Wishbone CITROEN AX (91-12/98) fi 16 mm RH |
| CI08004O | Wishbone CITROEN AX (91-12/98) fi 16 mm LH |
| CI08005O | Wishbone CITROEN BX (09/82-10/93) RH |
| CI08006O | Wishbone CITROEN BX (09/82-10/93) LH |
| CI08007O | Wishbone CITROEN ZX (08/91-06/97), XSARA (10/97-) RH (with ball joint) |
| CI08008O | Wishbone CITROEN ZX (08/91-06/97), XSARA (10/97-) LH (with ball joint) |
| CI08009O | Wishbone CITROEN BERLINGO(12/02-), PICASSO(12/99-) petrol RH |
| CI08010O | Wishbone CITROEN BERLINGO(12/02-), PICASSO(12/99-) petrol LH |
| CI08011O | Wishbone CITROEN BERLINGO(12/02-), PICASSO(12/99-) HDI RH |
| CI08012O | Wishbone CITROEN BERLINGO(12/02-), PICASSO(12/99-) HDI LH |
| CI08013O | Wishbone CITROEN JUMPY, EVASION, (06/94-) RH |
| CI08014O | Wishbone CITROEN JUMPY, EVASION, (06/94-) LH |
| CI08015O | Control arm CITROEN C15 (10/84-12/97) RH |
| CI08016O | Control arm CITROEN C15 (10/84-12/97) LH |
| CI08017O | Control arm CITROEN C25 (10/85-03/94) RH |
| CI08018O | Control arm CITROEN C25 (10/85-03/94) LH |
| CI08019O | Wishbone CITROEN JUMPER 1.0T – 1.4T (04/94-04/02) RH |
| CI08020O | Wishbone CITROEN JUMPER 1.0T – 1.4T (04/94-04/02) LH |
| CI08021O | Wishbone CITROEN JUMPER 1.8T (04/94-04/02) RH |
| CI08022O | Wishbone CITROEN JUMPER 1.8T (04/94-04/02) LH |
| CI08023O | Wishbone CITROEN JUMPER 1.8T (04/02-) RH |
| CI08024O | Wishbone CITROEN JUMPER 1.8T (04/02-) LH |
| CI08025O | Wishbone CITROEN XANTIA (11/92-11/97) RH |
| CI08026O | Wishbone CITROEN XANTIA (11/92-11/97) LH |
| CI10001O | Steering rod CITROEN JUMPER (04/94-) |

| | |
|-----------------|---|
| DAEWOO | |
| DW08001O | Control arm DAEWOO MATIZ (09/98-), TICO (02/95-) |
| DW08002O | Wishbone DAEWOO LANOS(06/97-), NEXIA(02/95-06/97), RACER RH |
| DW08003O | Wishbone DAEWOO LANOS(06/97-), NEXIA(02/95-06/97), RACER LH |
| DW08004O | Wishbone DAEWOO NUBIRA I. (06/97-99) RH |
| DW08005O | Wishbone DAEWOO NUBIRA I. (06/97-99) LH |
| DW08006O | Wishbone DAEWOO NUBIRA II. (99-) RH |
| DW08007O | Wishbone DAEWOO NUBIRA II. (99-) LH |
| DW54001O | Rear axle cross DAEWOO NUBIRA |
| DW51001O | Rear axle mounting DAEWOO NUBIRA (silent bloc + exchange) |
| DAIHATSU | |
| DH03001O | Suspension ball joint DAIHATSU CHARADE, CHARMANT, CUORE |
| DH08001O | Control arm DAIHATSU CHARADE, CHARMANT, CUORE, HIJET |
| DH08002O | Wishbone DAIHATSU TERIOS (10/97-) |
| FIAT | |
| CI01003O | Tie rod end FIAT DUCATO (07/81-03/94) |
| CI01004O | Tie rod end FIAT DUCATO (04/94-) |
| FI03001O | Suspension ball joint FIAT CROMA (12/85-12/96) |
| CI03003O | Suspension ball joint FIAT SCUDO(10/95-), ULYSSE (09/94-07/02) |
| FI03002O | Suspension ball joint FIAT TIPO, TEMPRA (07/87-09/90), BRAVO, BRAVA (11/95-10/01) fi 15 mm RH + LH |
| FI03003O | Suspension ball joint FIAT TIPO, TEMPRA (09/90-08/97), BRAVO, BRAVA (11/95-10/01) fi 17 mm RH + LH |
| FI03004O | Suspension ball joint FIAT MULTIPLA (97-) RH + LH |
| FI03005O | Suspension ball joint FIAT PUNTO ST.T. – N.T. RH + LH |
| FI03006O | Suspension ball joint FIAT STILO (10/01-) RH + LH |
| AL08003O | Wishbone FIAT CROMA (12/85-12/96) RH + LH (without ball joint) |
| FI08001O | Wishbone FIAT CROMA (12/85-12/96) RH |
| FI08002O | Wishbone FIAT CROMA (12/85-12/96) LH |
| FI08003O | Wishbone FIAT TIPO, TEMPRA (07/87-09/90) fi 15 mm RH |
| FI08004O | Wishbone FIAT TIPO, TEMPRA (07/87-09/90) fi 15 mm LH |
| FI08005O | Wishbone FIAT TIPO, TEMPRA (10/90-08/97), BRAVO, BRAVA (11/95-10/01) fi 17 mm RH |
| FI08006O | Wishbone FIAT TIPO, TEMPRA (10/90-08/97), BRAVO, BRAVA (11/95-10/01) fi 17 mm LH |
| FI08007O | Wishbone FIAT MAREA (09/96-) RH |
| FI08008O | Wishbone FIAT MAREA (09/96-) LH |
| FI08009O | Wishbone FIAT MULTIPLA (97-) RH |
| FI08010O | Wishbone FIAT MULTIPLA (97-) LH |
| CI08013O | Wishbone FIAT SCUDO(10/95-), ULYSSE (09/94-07/02) RH |
| CI08014O | Wishbone FIAT SCUDO(10/95-), ULYSSE (09/94-07/02) LH |
| CI08017O | Control arm FIAT DUCATO (10/85-03/94) RH |
| CI08018O | Control arm FIAT DUCATO (10/85-03/94) LH |
| CI08019O | Wishbone FIAT DUCATO 1.0T – 1.4T (04/94-04/02) RH |
| CI08020O | Wishbone FIAT DUCATO 1.0T – 1.4T (04/94-04/02) LH |
| CI08021O | Wishbone FIAT DUCATO 1.8T (04/94-04/02) RH |
| CI08022O | Wishbone FIAT DUCATO 1.8T (04/94-04/02) LH |
| CI08023O | Wishbone FIAT DUCATO 1.8T (04/02-) RH |
| CI08024O | Wishbone FIAT DUCATO 1.8T (04/02-) LH |
| FI08011O | Wishbone FIAT COMPAGNOLA (M50) |
| FI08012O | Wishbone FIAT PANDA (03/80-12/95) RH + LH |
| FI08013O | Wishbone FIAT PUNTO (03/94-07/99) RH |
| FI08014O | Wishbone FIAT PUNTO (03/94-07/99) LH |
| FI08015O | Wishbone FIAT PUNTO (09/99-) RH |

| | |
|----------------|---|
| FI08016O | Wishbone FIAT PUNTO (09/99-) LH |
| FI08017O | Wishbone FIAT STILO (10/01-) RH (ball joint + silent bloc) |
| FI08018O | Wishbone FIAT STILO (10/01-) LH (ball joint + silent bloc) |
| FI08019O | Wishbone FIAT UNO (04/83-10/94) RH |
| FI08020O | Wishbone FIAT UNO (04/83-10/94) LH |
| FI08021O | Control arm FIAT MIRAFIORI, FIORINO (93-) |
| AL54001O | Rear cross axle FIAT CROMA (12/85-12/96) RH + LH |
| CI10001O | Steering rod FIAT DUCATO (04/94-) |
| FI53001O | Wishbone - rear FIAT PUNTO (03/94-07/99) RH |
| FI53002O | Wishbone - rear FIAT PUNTO (03/94-07/99) LH |
| FI53003O | Wishbone - rear FIAT TIPO, TEMPRA (07/87-) RH |
| FI53004O | Wishbone - rear FIAT TIPO, TEMPRA (07/87-) LH |
| FI53005O | Wishbone - rear FIAT 500 RH |
| FI53006O | Wishbone - rear FIAT 500 LH |
| FORD | |
| FO01002O | Tie rod end FORD GALAXY (06/95-) RH |
| FO01003O | Tie rod end FORD GALAXY (06/95-) LH |
| FO08001O | Wishbone FORD FIESTA (07/91-12/93) RH |
| FO08002O | Wishbone FORD FIESTA (07/91-12/93) LH |
| FO08003O | Wishbone FORD FIESTA (01/94-08/95) RH |
| FO08004O | Wishbone FORD FIESTA (01/94-08/95) LH |
| FO08005O | Wishbone FORD FIESTA (09/95-04/02) RH |
| FO08006O | Wishbone FORD FIESTA (09/95-04/02) LH |
| FO08007O | Control arm FORD ESCORT (06/83-10/90) RH |
| FO08008O | Control arm FORD ESCORT (06/83-10/90) LH |
| FO08009O | Wishbone FORD ESCORT (08/90-02/99), ORION (08/90-08/93) RH |
| FO08010O | Wishbone FORD ESCORT (08/90-02/99), ORION (08/90-08/93) LH |
| FO08011O | Wishbone FORD GALAXY (06/95-) – silent blocs exchange |
| FO08012O | Wishbone FORD MONDEO RH + LH (without ball joint) |
| FO08013O | Wishbone FORD MONDEO (02/93-07/96) RH |
| FO08014O | Wishbone FORD MONDEO (02/93-07/96) LH |
| FO08015O | Wishbone FORD MONDEO (08/96-10/00) RH |
| FO08016O | Wishbone FORD MONDEO (08/96-10/00) LH |
| FO08017O | Control arm FORD CAPRI (12/68-07/87) RH |
| FO08018O | Control arm FORD CAPRI (12/68-07/87) LH |
| FO08019O | Control arm FORD SIERRA (08/82-02/93) RH |
| FO08020O | Control arm FORD SIERRA (08/82-02/93) LH |
| FO54001O | Rear cross axle FORD FOCUS (10/98-) |
| FO10001O | Steering rod FORD FIESTA (07/91-) |
| HONDA | |
| HO01001O | Tie rod end HONDA CIVIC, ACCORD, PRELUDE RH |
| HO01002O | Tie rod end HONDA CIVIC, ACCORD, PRELUDE LH |
| HO03001O | Suspension ball joint HONDA CIVIC UPPER (ball joint exchange) RH + LH |
| HO03002O | Suspension ball joint HONDA ACCORD UPPER (ball joint exchange) RH + LH |
| HO03003O | Suspension ball joint – lower HONDA CIVIC (ball joint + exchange) |
| HO03004O | Suspension ball joint – lower HONDA ACCORD (ball joint + exchange) |
| HO03005O | Suspension ball joint - lower HONDA LEGEND (ball joint + exchange) |
| HO08001O | Wishbone HONDA CIVIC ZGORNJA RH + LH |
| HO08002O | Lower control arm HONDA CIVIC (silent blocs exchange) RH + LH |
| HYUNDAI | |
| HY03001O | Suspension ball joint HYUNDAI ACCENT, LANTRA, SONATA RH + LH |
| HY08002O | Wishbone HYUNDAI LANTRA (ball joint + silent blocs exchange) RH + LH |
| HY08003O | Control arm HYUNDAI H 100 (06/97-) RH + LH (ball joint exchange) |
| HY08004O | Control arm HYUNDAI H 100 (06/97-) RH + LH (ball joint + silent blocs exchange) |

| | |
|-------------------|--|
| IVECO | |
| IV01001O | Tie rod end IVECO |
| IV08001O | Wishbone IVECO DAILY 30.8-49-12 (-00) UPPER + LOWER |
| IV08002O | Wishbone IVECO 35 S 11 (00-) upper (ball joint exchange) |
| IV08003O | Wishbone IVECO 35 S 11 (00-) lower (ball joint exchange) |
| JAGUAR | |
| JA01001O | Tie rod end JAGUAR (all models) |
| JA03001O | Upper ball joint JAGUAR XJ6, XJS, XJ12 |
| JA03002O | Lower ball joint JAGUAR XJ6, XJS, XJ12 |
| JEEP | |
| JE01001O | Tie rod end JEEP WRANGLER, CHEROKEE, GRAN CHEROKEE |
| JE03001O | Lower ball joint JEEP WRANGLER, CHEROKEE, GRAN CHEROKEE |
| JE03002O | Upper ball joint JEEP WRANGLER, CHEROKEE, GRAN CHEROKEE |
| JE11001O | Ball joint of panhard's rod JEEP WRANGLER, GRAN CHEROKEE |
| LANCIA | |
| FI03001O | Ball joint LANCIA THEMA (11/84-07/94) RH + LH |
| CI03003O | Suspension ball joint LANCIA ZETA (06/94-) RH + LH |
| FI03003O | Suspension ball joint LANCIA DEDRA (04/89-07/99), DELTA (11/93-) fi17mm RH + LH |
| FI03004O | Ball joint LANCIA LYBRA (07/99-) RH + LH |
| FI03005O | Ball joint LANCIA YPSILON (03/95-10/03) RH + LH |
| AL08003O | Ball joint LANCIA THEMA (11/84-07/94) RH + LH (without ball joint) |
| FI08001O | Wishbone LANCIA THEMA (11/84-07/94) RH |
| FI08002O | Wishbone LANCIA THEMA (11/84-07/94) LH |
| FI08005O | Wishbone LANCIA DEDRA (04/89-07/99) fi 17 mm RH |
| FI08006O | Wishbone LANCIA DEDRA (04/89-07/99) fi 17 mm LH |
| FI08009O | Wishbone LANCIA LYBRA (07/99-) RH |
| FI08010O | Wishbone LANCIA LYBRA (07/99-) LH |
| CI08013O | Wishbone LANCIA ZETA (06/94-) RH |
| CI08014O | Wishbone LANCIA ZETA (06/94-) LH |
| FI08012O | Wishbone LANCIA Y10 (09/85-02/96) RH + LH |
| FI08013O | Wishbone LANCIA YPSILON (03/95-10/03) RH |
| FI08014O | Wishbone LANCIA YPSILON (03/95-10/03) LH |
| AL54001O | Rear cross axle LANCIA THEMA (11/84-07/94) RH + LH |
| LAND ROVER | |
| LR01001O | Tie rod end LANDROVER DEFENDER(08/90-12/00), DISCOVERY(11/89-09/98), RANGE ROVER (05/71-05/94) |
| MAZDA | |
| MA03001O | Suspension ball joint MAZDA 121 RH + LH |
| MA03002O | Suspension ball joint MAZDA 626 (with exchange) |
| MA08001O | Wishbone MAZDA 323 (silent bloc + ball joint exchange) RH + LH |
| MA08002O | Wishbone MAZDA 626 (ball joint + small silent bloc exchange) RH + LH |
| MA08003O | Wishbone MAZDA 626 (ball joint + small + large silent bloc exchange) RH + LH |
| MERCEDES | |
| ME01001O | Tie rod end MERCEDES SPRINTER (01/95-03/00) |
| ME01002O | Tie rod end MERCEDES VITO (02/96-) |
| ME01003O | Tie rod end MERCEDES W163 series M (02/98-) |
| ME01004O | Tie rod end MERCEDES W210 series E (05/95-03/02) RH |
| ME01005O | Tie rod end MERCEDES W210 series E (05/95-03/02) LH |

| | |
|-------------------|---|
| ME03001O | Suspension ball joint MERCEDES SPRINTER (01/95-03/00) – ball joint + exchange) |
| ME03002O | Suspension ball joint MERCEDES VITO (02/96-) – ball joint + exchange) |
| ME03003O | Suspension ball joint MERCEDES W202 series C (03/93-05/00), W210 series E (05/95-03/02) double conus |
| ME03004O | Suspension ball joint MERCEDES W/C 140 series S (02/91-08/98) double conus |
| ME03005O | Upper suspension ball joint MERCEDES W123, W124, W126 (AL. Control arm) |
| ME03006O | Ball joint MERCEDES W116 (08/72-07/80), W123 (01/76-12/85), W126 class S (10/79-06/91) – ball joint + exchange |
| ME03007O | Ball joint MERCEDES W163 series M (02/98-) |
| ME03008O | Ball joint MERCEDES W163 series M (02/98-) – ball joint + exchange |
| ME08001O | Control arm MERCEDES W163 series M (02/98-) |
| ME08002O | Lower wishbone MERCEDES W124 (12/84-06/95), W129 class SL (03/98-), W201 class 190 (10/82-08/93) – ball joint + exchange |
| ME08003O | Upper wishbone MERCEDES W202 class C (03/93-05/00) RH + LH |
| ME11001O | Cross rod MERCEDES W202 class C (03/93-05/00) – axial joint rebuilding |
| ME08004O | Lower wishbone MERCEDES VITO (with ball joint) RH + LH |
| ME53001O | Rear axle wishbone MERCEDES W168 series A (07/97-09/04) RH |
| ME53002O | Rear axle wishbone MERCEDES W168 series A (07/97-09/04) LH |
| MITSUBISHI | |
| MI01001O | Tie rod end MITSUBISHI PAJERO (12/82-12/91) - LONG |
| MI01002O | Tie rod end MITSUBISHI PAJERO (12/82-12/91) - SHORT |
| MI03001O | Suspension ball joint MITSUBISHI COLT, LANCER (ball joint + exchange) |
| MI03002O | Suspension ball joint MITSUBISHI GALANT |
| MI09001O | Auxiliary steering MITSUBISHI PAJERO - small |
| MI09002O | Auxiliary steering MITSUBISHI PAJERO - large |
| NISSAN | |
| NI01001O | Končnik volana NISSAN MICRA, SUNNY, PRIMERA, ALMERA |
| NI01002O | Kon. volana NISSAN MAXIMA (02/95-08/00), PATROL, TERANO |
| NI03001O | Zglob vilice NISSAN MICRA - zglob + menjava |
| NI03002O | Zglob vilice NISSAN SUNNY - zglob + menjava |
| NI03003O | Zglob vilice NISSAN PRIMERA, ALMERA - zglob + menjava |
| NI03004O | Zglob vilice NISSAN MAXIMA - zglob + menjava |
| NI03005O | Zglob vilice NISSAN PATROL |
| NI08001O | Vilica NISSAN MICRA - menjava zgloba + silent blokov |
| NI08002O | Vilica NISSAN SUNNY - menjava zgloba + malega silent bloka |
| NI10001O | Drog volana NISSAN MICRA (predelava na fi 16 mm) |
| NI11001O | Vezni drog NISSAN SUNNY |
| NI11002O | Vezni drog NISSAN TERANO |
| OPEL | |
| OP01002O | Tie rod end OPEL FRONTERA |
| OP01005O | Tie rod end OPEL OMEGA A (09/86-03/94), B (03/94-) long RH (M14 X 1,5 – LH) |
| OP01006O | Tie rod end OPEL OMEGA A (09/86-03/94), B (03/94-) long LH (M14 X 1,5 – RH) |
| OP01007O | Tie rod end OPEL OMEGA A, B, - long + short (with tube) RH + LH |
| OP03001O | Ball joint OPEL ASCONA, KADETT, ASTRA, CORSA, VECTRA |
| OP08001O | Wishbone OPEL ASTRA (09/91-12/02), VECTRA (08/88-07/95), CALIBRA (03/90-07/97) RH |
| OP08002O | Wishbone OPEL ASTRA (09/91-12/02), VECTRA (08/88-07/95), CALIBRA (03/90-07/97) LH |
| OP08003O | Wishbone OPEL VECTRA series B (09/95-12/03) RH |
| OP08004O | Wishbone OPEL VECTRA series B (09/95-12/03) LH |
| OP08005O | Wishbone OPEL OMEGA series B (03/94-) RH |
| OP08006O | Wishbone OPEL OMEGA series B (03/94-) LH |
| OP08007O | Wishbone OPEL KADETT series E (09/84-07/91) RH |
| OP08008O | Wishbone OPEL KADETT series E (09/84-07/91) LH |

| | |
|----------------|--|
| OP11001O | Cross rod OPEL OMEGA A, B, |
| OP09001O | Auxiliary steering OPEL OMEGA A, B |
| PEUGEOT | |
| CI01003O | Tie rod end PEUGEOT J5 (07/81-03/94) |
| CI01004O | Tie rod end PEUGEOT BOXER (04/94-) |
| CI03001O | Suspension ball joint PEUGEOT 106 (09/91-) – ball joint + exchange |
| CI03002O | Suspension ball joint PEUGEOT 205 (08/83-09/98) RH + LH |
| PE03001O | Suspension ball joint PEUGEOT 309 (10/85-12/93) |
| PE03002O | Suspension ball joint PEUGEOT 206 (09/98-) |
| PE03003O | Suspension ball joint PEUGEOT 305 , 405 (ball joint + exchange) |
| PE03004O | Suspension ball joint PEUGEOT 406, 605 (ball joint + exchange) |
| CI03003O | Suspension ball joint PEUGEOT BOXER (06/94-) |
| PE08001O | Control arm PEUGEOT 205 (08/83-09/98) RH |
| PE08002O | Control arm PEUGEOT 205 (08/83-09/98) LH |
| PE08003O | Control arm PEUGEOT 309 (10/85-12/93) RH |
| PE08004O | Control arm PEUGEOT 309 (10/85-12/93) LH |
| PE08005O | Wishbone PEUGEOT 206 (09/98-) RH |
| PE08006O | Wishbone PEUGEOT 206 (09/98-) LH |
| PE08007O | Wishbone PEUGEOT 306 (02/93-) RH |
| PE08008O | Wishbone PEUGEOT 306 (02/93-) LH |
| PE08009O | Wishbone PEUGEOT 405 (09/87-12/97) RH + LH |
| PE08010O | Wishbone PEUGEOT 406 (10/95-) RH + LH (silent blocs exchange) |
| PE08011O | Wishbone 605 (06/89-11/99), 607 (01/00-) RH + LH |
| CI08013O | Wishbone EXPERT (10/95-), 806 (09/94-07/02) RH |
| CI08014O | Wishbone PEUGEOT EXPERT (10/95-), 806 (09/94-07/02) LH |
| CI08017O | Control arm PEUGEOT J5 (10/85-03/94) RH |
| CI08018O | Control arm PEUGEOT J5 (10/85-03/94) LH |
| CI08019O | Wishbone PEUGEOT BOXER 1.0T – 1.4T (04/94-04/02) RH |
| CI08020O | Wishbone PEUGEOT BOXER 1.0T – 1.4T (04/94-04/02) LH |
| CI08021O | Wishbone PEUGEOT BOXER 1.8T (04/94-04/02) RH |
| CI08022O | Wishbone PEUGEOT BOXER 1.8T (04/94-04/02) LH |
| CI08023O | Wishbone PEUGEOT BOXER 1.8T (04/02-) RH |
| CI08024O | Wishbone PEUGEOT BOXER 1.8T (04/02-) LH |
| CI10001O | Steering rod PEUGEOT BOXER (04/94-) |
| PONTIAC | |
| PO01001O | Tie rod end PONTIAC FIRE BIRD |
| PO01002O | Tie rod end PONTIAC TRANS - AM |
| PO03001O | Ball joint PONTIAC FIRE BIRD |
| PO03002O | Ball joint PONTIAC TRANS - AM |
| PO08001O | Wishbone PONTIAC TRANS – AM (ball joint + exchange) |
| PO09001O | Auxiliary steering PONTIAC TRANS - AM |
| PORSCHE | |
| PR01001O | Tie rod end PORSCHE 924, 928, 944 |
| PR03001O | Suspension ball joint PORSCHE 911, 924, 944 |
| PR08001O | Wishbone PORSCHE 911, 944 |
| RENAULT | |
| RE01002O | Tie rod end RENAULT CLIO ii. (10/93-09/98) power steering RH + LH |
| RE01003O | Tie rod end RENAULT LAGUNA I. (01/94-12/00) RH + LH |
| RE01004O | Tie rod end RENAULT MASTER I. (08/80-09/97) RH + LH |
| RE01005O | Tie rod end RENAULT MASTER II. (10/97-) RH + LH |
| RE03001O | Ball joint RENAULT 21 DIESEL |
| RE03002O | Ball joint RENAULT 25, ESPACE |

| | |
|---------------|---|
| RE03003O | Suspension ball joint RENAULT LAGUNA I. (01/94-12/00) – ball joint + exchange RH + LH |
| RE03004O | Suspension ball joint RENAULT MASTER II. (10/97-) – ball joint + exchange RH + LH |
| RE03005O | Suspension ball joint RENAULT MEGANE SCENIC (10/95-10/97) – ball joint + exchange |
| RE08001O | Wishbone RENAULT 5 (08/84-13/96) - with ball joint RH |
| RE08002O | Wishbone RENAULT 5 (08/84-13/96) - with ball joint LH |
| RE08003O | Wishbone RENAULT 19, MEGANE (with ball joint) RH |
| RE08004O | Wishbone RENAULT 19, MEGANE (with ball joint) LH |
| RE08005O | Wishbone RENAULT CLIO I. (01/91-09/98) – with ball joint RH |
| RE08006O | Wishbone RENAULT CLIO I. (01/91-09/98) – with ball joint LH |
| RE08007O | Wishbone RENAULT LAGUNA I. (01/94-12/00) RH |
| RE08008O | Wishbone RENAULT LAGUNA I. (01/94-12/00) LH |
| RE08009O | Wishbone RENAULT LAGUNA II.(10/00-) RH |
| RE08010O | Wishbone RENAULT LAGUNA II.(10/00-) LH |
| RE08011O | Wishbone RENAULT TWINGO (03/93-) RH - with ball joint |
| RE08012O | Wishbone RENAULT TWINGO (03/93-) LH - with ball joint |
| ROVER | |
| RO01001O | Tie rod end ROVER series 100 (09/90-04/99) |
| RO01002O | Tie rod end ROVER series 200 (10/89-12/99) |
| RO01003O | Tie rod end ROVER series 800 (07/86-02/99) |
| RO03001O | Suspension ball joint ROVER series 200 (10/89-12/99), series 400 (03/90-06/97) RH + LH – rebuilding ball joint for lower control arm |
| RO08001O | Control arm ROVER series 200 (10/89-12/99), series 400 (03/90-06/97) RH |
| RO08002O | Control arm ROVER series 200 (10/89-12/99), series 400 (03/90-06/97) LH |
| RO03002O | Suspension ball joint ROVER series 400 (05/95-01/00) UPPER RH (ball joint + exchange) |
| RO03003O | Ball joint ROVER series 400 (05/95-01/00) – ball joint + exchange |
| RO03004O | Suspension ball joint ROVER 75 (03/99-) - outer |
| RO08003O | Wishbone ROVER series 100 (09/90-04/99) – lower (ball joint + silent blocs) |
| SAAB | |
| SA01001O | Tie rod end SAAB 90, 93, 99 |
| SA03001O | Ball joint SAAB 90, 93, 99 upper + lower |
| SA08001O | Control arm SAAB 9-3 (02/98-) |
| SEAT | |
| FO01002O | Tie rod end SEAT ALHAMBRA (04/94-) RH |
| FO01003O | Tie rod end SEAT ALHAMBRA (04/94-) LH |
| SE08001O | Control arm SEAT IBIZA (01/71-12/86) fi 15 mm |
| SE08002O | Control arm SEAT IBIZA (06/84-12/93) fi 17 mm |
| SUBARU | |
| SU01001O | Tie rod end SUBARU JUSTY |
| SU01002O | Tie rod end SUBARU IMPREZA, LEGACY, LEONE |
| SU08001O | Control arm SUBARU JUSTY (only silent bloc) RH + LH |
| SU08002O | Wishbone SUBARU VIVIO (rebuilding ball joint) RH + LH |
| SUZUKI | |
| SZ01001O | Tie rod end SUZUKI VITARA |
| SZ03001O | Ball joint SUZUKI VITARA |
| SZ08001O | Control arm SUZUKI MARUTI, ALTO RH + LH |
| SZ08002O | Wishbone SUZUKI BALENO (08/98-) – ball joint rebuilding RH + LH |
| SZ03002O | Suspension ball joint SUZUKI SWIFT (01/89-) – rebuilding wishbone RH + LH |
| SZ08003O | Wishbone SUZUKI SWIFT (01/89-) – ball joint + silent blocs |

| | |
|-------------------|--|
| ŠKODA | |
| SK01002O | Tie rod end ŠKODA OCTAVIA RH + LH |
| SK08001O | Wishbone ŠKODA FAVORIT, FORMAN (05/89-03/95) RH + LH |
| SK08002O | Wishbone ŠKODA FELICIA (10/94-09/00) RH + LH |
| AU08005O | Wishbone ŠKODA OCTAVIA (09/96-12/04) RH + LH - with ball joint |
| TOYOTA | |
| TO01001O | Tie rod end TOYOTA CARINA, COROLLA, CELICA |
| TO01002O | Tie rod end TOYOTA LANDCRUISER |
| TO03001O | Ball joint TOYOTA CARINA, COROLLA, CELICA |
| TO09001O | Auxiliary steering TOYOTA |
| TO11001O | Cross rod TOYOTA COROLLA, CARINA |
| TO10001O | Steering rod TOYOTA COROLLA |
| VOLKSWAGEN | |
| AU01003O | Tie rod end VW PASSAT (08/96-) |
| FO01002O | Tie rod end VW SHARAN (04/94-) RH |
| FO01003O | Tie rod end VW SHARAN (04/94-) LH |
| VW01002O | Tie rod end VW TRANSPORTER old type, new type RH + LH |
| VW03001O | Ball joint VW HROŠČ 1200A, 1300A, (08/65-03/85) |
| VW03002O | Ball joint - lower VW TRANSPORTER old type, new type |
| VW08001O | Control arm VW HROŠČ (with silent blocs) |
| VW08002O | Control arm VW POLO (10/81-09/94) RH + LH |
| VW08003O | Wishbone VW PASSAT (03/88-01/94) RH + LH |
| VW08004O | Wishbone VW GOLF I. (04/74-07/83) RH + LH |
| VW08005O | Wishbone VW GOLF II. (08/83-07/87) fi 17 mm RH + LH (with ball joint) |
| VW08006O | Wishbone VW GOLF II. (07/87-07/92) fi 19 mm RH + LH (with ball joint) |
| VW08007O | Wishbone VW GOLF III. (11/91-07/98) fi 19 mm RH + LH (with ball joint) |
| VW08008O | Wishbone VW TRANSPORTER (silent blocs exchange) upper + lower |
| AU08006O | Front upper control arm - VW PASSAT (08/96-) RH |
| AU08007O | Front upper control arm - VW PASSAT (08/96-) LH |
| AU08008O | Rear upper control arm - VW PASSAT (08/96-) RH |
| AU08009O | Rear upper control arm - VW PASSAT (08/96-) LH |
| AU08011O | Front lower control arm - VW PASSAT (08/96-) RH + LH |
| AU08012O | Rear lower control arm - VW PASSAT (08/96-) RH |
| AU08013O | Rear lower control arm - VW PASSAT (08/96-) LH |
| VW11001O | Cross rod VW POLO |
| VW11002O | Cross rod VW PASSAT SYNCRO |
| VW11003O | Cross rod VW TRANSPORTER |
| VOLVO | |
| VO03002O | Suspension ball joint VOLVO 850 (06/91-12/96), S70-V70 (01/97-03/00) RH + LH |
| VO03003O | Suspension ball joint VOLVO S40, V40 (ball joint + exchange) RH + LH |
| VO08001O | Wishbone VOLVO S40- V40 (ball joint + silent bloc exchange) RH + LH |
| VO08002O | Wishbone VOLVO 850 (06/91-12/96), S70-V70 (01/97-03/00) - ball joint + silent blocs RH |
| VO08003O | Wishbone VOLVO 850 (06/91-12/96), S70-V70 (01/97-03/00) - ball joint + silent blocs LH |

COMPANY DATA:

VARGALANT, d.o.o. HORJUL
Livada 49
1354 HORJUL
SLOVENIA

Tel.: +386 1 75 90 150
+386 1 75 90 152
Fax: +386 1 75 90 155

E-mail: info@vargalant-horjul.si

Web page: www.vargalant-horjul.si